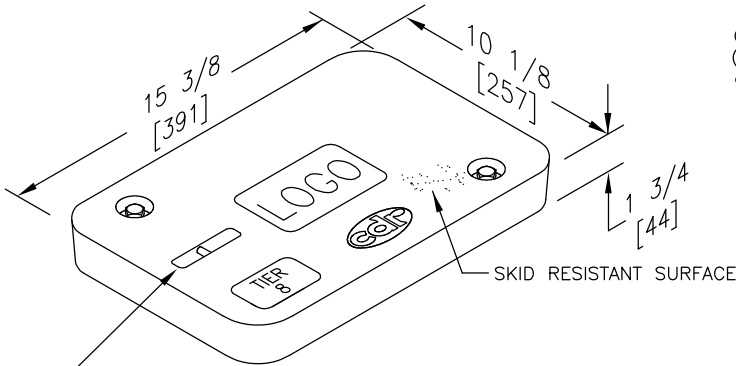


**SPECIFICATIONS/DATA**

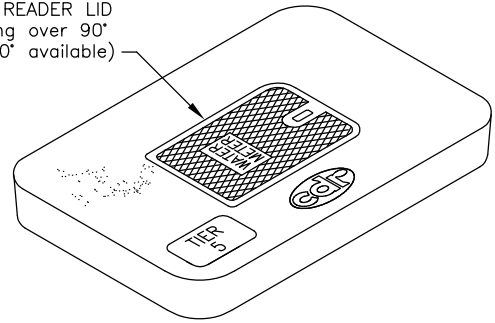
**10" X 15" FLARED WALL STYLE (NESTABLE) ASSEMBLY**



**COVER**

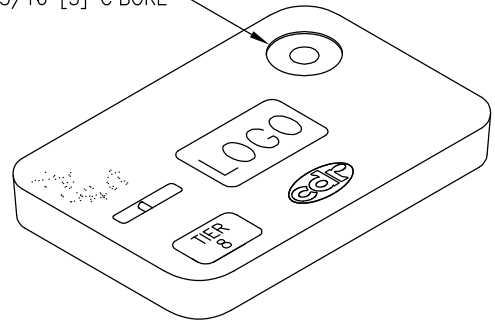
5/8 [16] X 3 [76]  
PULL SLOT

CAST IRON READER LID  
(4X6 opening over 90°  
or under 90° available)



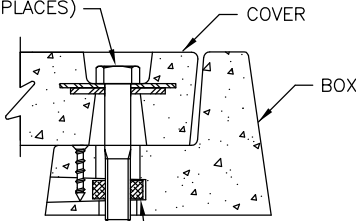
**COVER W/READER LID**

∅2 [51] TOUCH READER HOLE  
w/∅4 1/8 [105] X 3/16 [5] C'BORE



**COVER W/TOUCH READER HOLE**

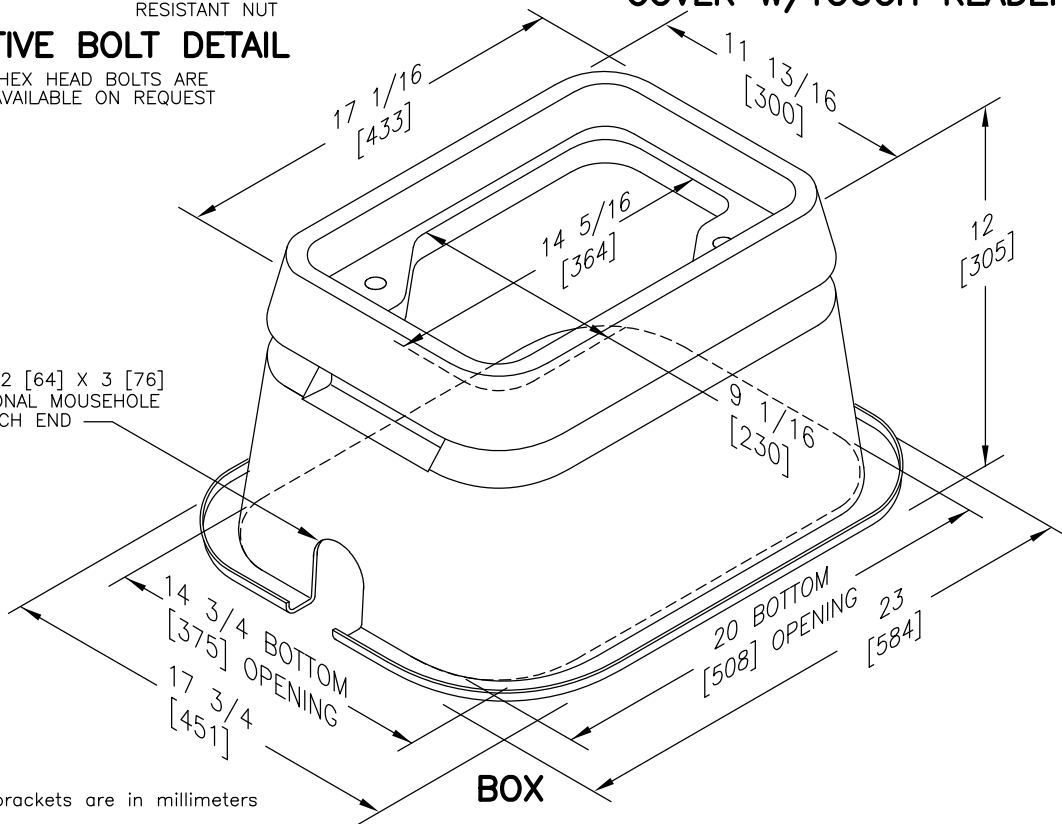
1/2-13 UNC SS  
CAPTIVE PENTA HEAD  
BOLT (2 PLACES)



**CAPTIVE BOLT DETAIL**

HEX HEAD BOLTS ARE  
AVAILABLE ON REQUEST

2 1/2 [64] X 3 [76]  
OPTIONAL MOUSEHOLE  
1 EACH END



Dimensions in brackets are in millimeters

# SPECIFICATIONS/DATA

## 10" X 15" FLARED WALL STYLE (NESTABLE) ASSEMBLY

**COVERS** Bolt down covers have S.S. Captive Penta Head Bolts [Blank unless logo is specified]  
(Hex Head Bolts are available – change 2nd digit in cover part no. to "2")

DESCRIPTION	PART NO.	Old Catalog No.	WEIGHT LBS./kg.	DESIGN/TEST LOAD#	ANSI TIER
Tier 8 w/2 Bolts	C10101502A	C10-1015-02	17/8	8,000/12,000	8
Tier 8 No Bolt Down	C00101502A	C00-1015-02	17/8	8,000/12,000	8
Tier 15 w/2 Bolts	C12101502A	C12-1015-02	19/9	15,000/22,500	15
Tier 15 No Bolt Down	C02101502A	C02-1015-02	19/9	15,000/22,500	15
Tier 22 w/2 Bolts	C16101502A	C12-1015-02	19/9	22,500/33,750	22
Tier 22 No Bolt Down	C06101502A	C02-1015-02	19/9	22,500/33,750	22
No Bolts w/4x6 Meter Lid (Over 90)	C08101502C	C00-1015-2C	15/7	5,000/7,500	5
Bolts w/4x6 Meter Lid (Over 90)	C18101502C	C10-1015-2C	15/7	5,000/7,500	5
No Bolts w/4x6 Meter Lid (Under 90)	C08101502D	C00-1015-2C	15/7	5,000/7,500	5
Bolts w/4x6 Meter Lid (Under 90)	C18101502D	C10-1015-2C	15/7	5,000/7,500	5
No Bolts w/Touch Reader Hole	C00101502P	C00-1015-2TR	19/9	8,000/12,000	8
Bolts w/Touch Reader Hole	C10101502P	C10-1015-2TR	19/9	8,000/12,000	8

Covers must be used with equivalent Tier boxes or higher (example a Tier 15 cover may not be used with Tier 8 box).

<b>BOXES</b> (Nestable with self-aligning corrosion resistant replaceable nuts)						
DESCRIPTION	PART NO.	Old Catalog No.	DIM. A IN./mm.	WEIGHT# LBS./kg.	DESIGN/TEST LOAD#	ANSI TIER
Tier 8	B10101512A	B10-1015-12	12/305	22/10	8,000/12,000	8
	B10101518A	B10-1015-18	18/457	36/16	8,000/12,000	8
Tier 15	B12101512A	B12-1015-12	12/305	25/11	15,000/22,500	15
	B12101518A	B12-1015-18	18/457	38/17	15,000/22,500	15
Tier 22	B19101512A	special number	12/305	25/11	22,500/33,750	22
	B19101518A	special number	18/457	38/17	22,500/33,750	22
Tier 8 w/ Gasket*	B10101512G	B10-1015-12G	12/305	22/10	8,000/12,000	8
	B10101518G	B10-1015-18G	18/457	36/16	8,000/12,000	8
Tier 15 Bolt down w/ Gasket*	B12101512G	B12-1015-12G	12/305	25/11	15,000/22,500	15
	B12101518G	B12-1015-18G	18/457	38/17	15,000/22,500	15
Tier 22 Bolt down w/ Gasket*	B19101512G	special number	12/305	25/11	22,500/33,750	22
	B19101518G	special number	18/457	38/17	22,500/33,750	22
Tier 8 w/ Standard Mouseholes	B10101512M	B10-1015-12	12/305	22/10	8,000/12,000	8
	B10101518M	B10-1015-18	18/457	36/16	8,000/12,000	8
Tier 15 w/ Standard Mouseholes	B12101512M	B12-1015-12	12/305	25/11	15,000/22,500	15
	B12101518M	B12-1015-18	18/457	38/17	15,000/22,500	15
Tier 22 /w Standard Mouseholes	B19101512M	special number	12/305	25/11	22,500/33,750	22
	B19101518M	special number	18/457	38/17	22,500/33,750	22

\*Gaskets reduce the inflow of fluids but do not make the enclosure water tight.

- Loadings comply with ANSI/SCTE 77 (See page 3 & 4)