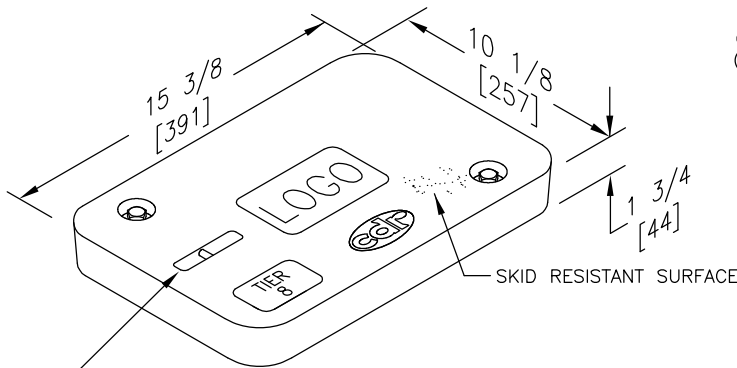


SPECIFICATIONS/DATA

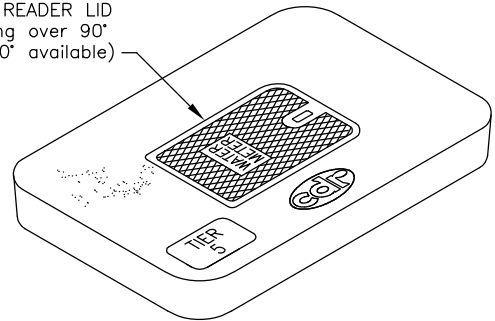
10" X 15" STRAIGHT WALL STYLE (STACKABLE) ASSEMBLY



COVER

5/8 [16] X 3 [76]
PULL SLOT

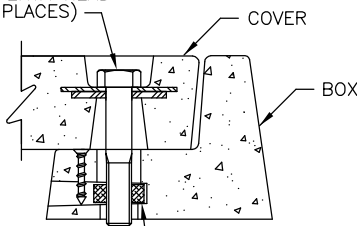
CAST IRON READER LID
(4X6 opening over 90°
or under 90° available)



COVER W/READER LID

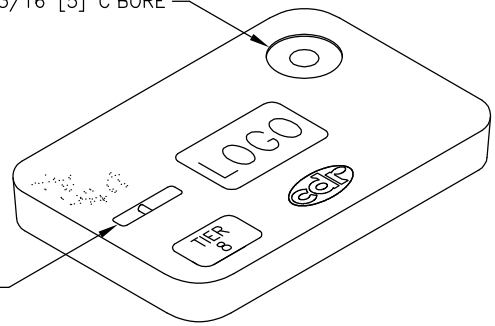
2 [51] DIA. TOUCH READER HOLE
w/4 1/8 [105] DIA. X 3/16 [5] C'BORE

1/2-13 UNC SS
CAPTIVE PENTA HEAD
BOLT (2 PLACES)



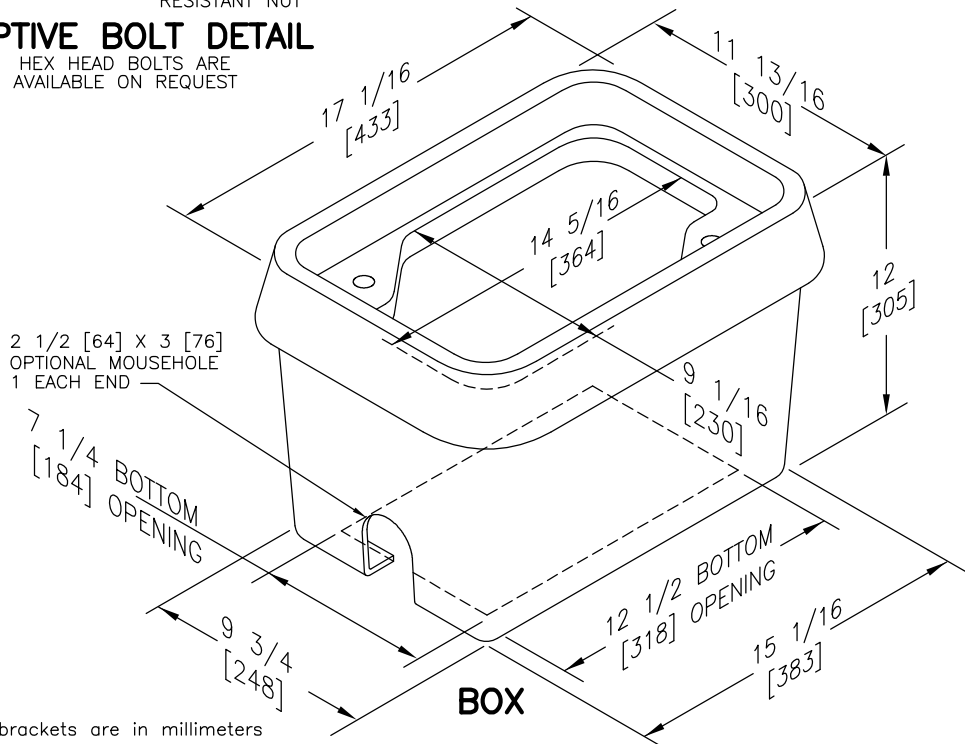
CAPTIVE BOLT DETAIL

HEX HEAD BOLTS ARE
AVAILABLE ON REQUEST



5/8 [16] X 4 [102]
PULL SLOT (2 PLACES)

COVER W/TOUCH READER HOLE



BOX

Dimensions in brackets are in millimeters

SPECIFICATIONS/DATA

10" X 15" STRAIGHT WALL STYLE (STACKABLE) ASSEMBLY

COVERS Bolt down covers have S.S. Captive Penta Head Bolts [Blank unless logo is specified]
(Hex Head Bolts are available – change 2nd digit in cover part no. to "2")

DESCRIPTION	PART NO.	Old Catalog No.	WEIGHT LBS./kg.	DESIGN/TEST LOAD#	ANSI TIER
Tier 8 w/2 Bolts	C10101502A	C10-1015-02	17/8	8,000/12,000	8
Tier 8 No Bolt Down	C00101502A	C00-1015-02	17/8	8,000/12,000	8
Tier 15 w/2 Bolts	C12101502A	C12-1015-02	19/9	15,000/22,500	15
Tier 15 No Bolt Down	C02101502A	C02-1015-02	19/9	15,000/22,500	15
Tier 22 w/2 Bolts	C16101502A	special number	19/9	22,500/33,750	22
Tier 22 No Bolt Down	C06101502A	special number	19/9	22,500/33,750	22
No Bolts w/4x6 Meter Lid (Over 90)	C08101502C	C00-1015-2C	17/8	5,000/7,500	5
Bolts w/4x6 Meter Lid (Over 90)	C18101502C	C10-1015-2C	17/8	5,000/7,500	5
No Bolts w/4x6 Meter Lid (Under 90)	C08101502D	C00-1015-2C	17/8	5,000/7,500	5
Bolts w/4x6 Meter Lid (Under 90)	C18101502D	C10-1015-2C	17/8	5,000/7,500	5
No Bolts w/Touch Reader Hole	C00101502P	C00-1015-2TR	19/9	8,000/12,000	8
Bolts w/Touch Reader Hole	C10101502P	C10-1015-2TR	19/9	8,000/12,000	8

Covers must be used with equivalent tier boxes or higher (example a Tier 15 cover may not be used with Tier 8 box).

BOXES (Stackable with self-aligning corrosion resistant replaceable nuts)

DESCRIPTION	PART NO.	Old Catalog No.	WEIGHT LBS./kg.	DESIGN/TEST LOAD#	ANSI TIER
Tier 8 Open Bottom	B13101512A	B13-1015-12	24/11	8,000/12,000	8
Tier 15 Open Bottom	B14101512A	B14-1015-12	27/12	15,000/22,500	15
Tier 22 Open Bottom	B16101512A	special number	27/12	22,500/33,750	22
Tier 8 Solid Bottom	B13101512B	B13-1015-12B	28/13	8,000/12,000	8
Tier 15 Duty Solid Bottom	B14101512B	B14-1015-12B	31/14	15,000/22,500	15
Tier 22 Duty Solid Bottom	B16101512B	special number	31/14	22,500/33,750	22
Tier 8 Open Bottom W/ Gasket*	B13101512G	B13-1015-12G	24/11	8,000/12,000	8
Tier 15 Open Bottom W/ Gasket*	B14101512G	B14-1015-12G	27/12	15,000/22,500	15
Tier 22 Open Bottom W/ Gasket*	B16101512G	special number	27/12	22,500/33,750	22
Tier 8 Solid Bottom W/ Gasket*	B131015500	B13-1015-12BG	28/13	8,000/12,000	8
Tier 15 Solid Bottom W/ Gasket*	B141015500	B14-1015-12BG	31/14	15,000/22,500	15
Tier 22 Solid Bottom W/ Gasket*	B161015500	special number	31/14	22,500/33,750	22
Tier 8 Open Bottom W/ Standard Mouseholes	B13101512M	B13-1015-12	24/11	8,000/12,000	8
Tier 15 Open Bottom W/ Standard Mouseholes	B14101512M	B14-1015-12	27/12	15,000/22,500	15
Tier 22 Open Bottom W/ Standard Mouseholes	B16101512M	special number	27/12	15,000/22,500	22

*Gaskets reduce the inflow of fluids but do not make the enclosure water tight.

● Loadings comply with ANSI/SCTE 77 (See page 3 & 4)