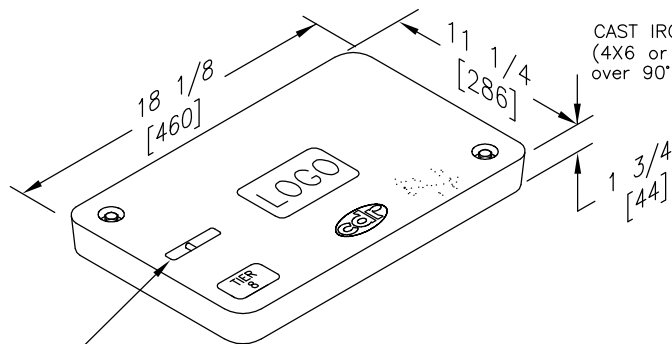


SPECIFICATIONS/DATA

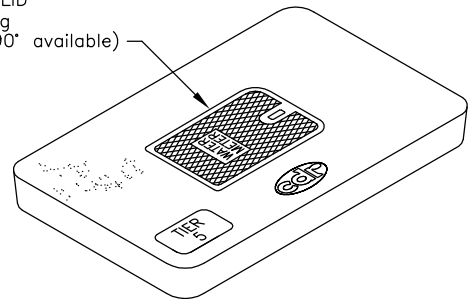
11" X 18" FLARED WALL STYLE (NESTABLE) ASSEMBLY



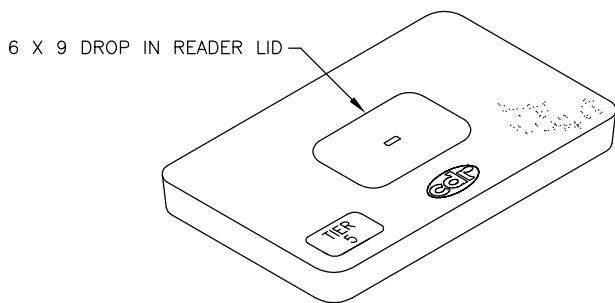
COVER

5/8 [16] X 4 [102]
PULL SLOT

CAST IRON READER LID
(4X6 or 6X9 opening
over 90° or under 90° available)

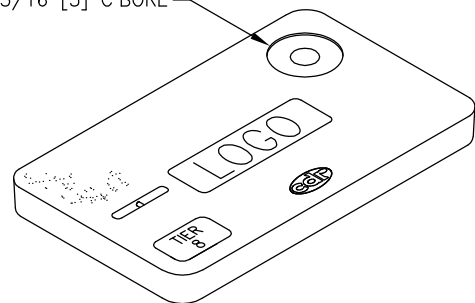


COVER W/READER LID



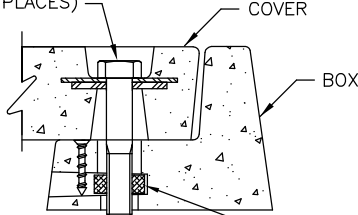
COVER W/DROP IN READER LID

∅2 [51] TOUCH READER HOLE
w/∅4 1/8 [105] X 3/16 [5] C'BORE



COVER W/TOUCH READER HOLE

1/2-13 UNC SS
CAPTIVE PENTA HEAD
BOLT (2 PLACES)

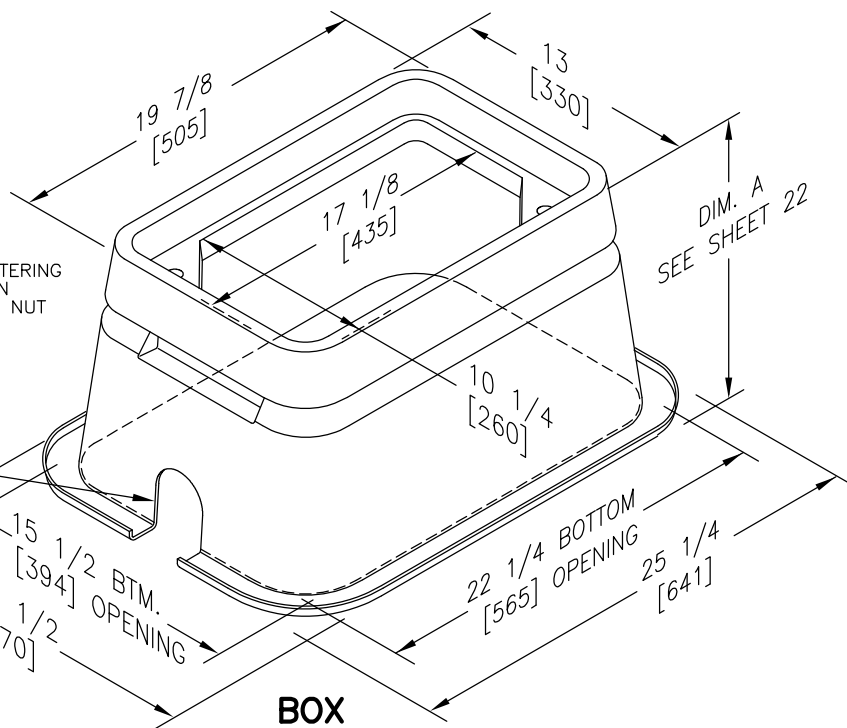


CAPTIVE BOLT DETAIL

HEX HEAD BOLTS ARE
AVAILABLE ON REQUEST

SELF-CENTERING
CORROSION
RESISTANT NUT

2 1/2 [64] X 3 [76]
OPTIONAL MOUSEHOLE
1 EACH END



BOX

Dimensions in brackets are in millimeters

SPECIFICATIONS/DATA

11" X 18" FLARED WALL STYLE (NESTABLE) ASSEMBLY

COVERS Bolt down covers have S.S. Captive Penta Head Bolts [Blank unless logo is specified]
(Hex Head Bolts are available – change 2nd digit in cover part no. to "2")

DESCRIPTION	PART NO.	Old Catalog No.	WEIGHT LBS./kg.	DESIGN/TEST LOAD#	ANSI TIER
Tier 8 w/2 Bolts	C10111802A	C10-1118-02	21/10	8,000/12,000	8
Tier 8 No Bolt Down	C00111802A	C00-1118-02	21/10	8,000/12,000	8
Tier 15 w/2 Bolts	C12111802A	C12-1118-02	23/10	15,000/22,500	15
Tier 15 No Bolt Down	C02111802A	C02-1118-02	23/10	15,000/22,500	15
Tier 22 w/2 Bolts	C16111802A	special number	23/10	22,500/33,750	22
Tier 22 No Bolt Down	C06111802A	special number	23/10	22,500/33,750	22
No Bolts w/4x6 Meter Lid (Over 90)	C08111802C	C00-1118-2C	21/10	5,000/7,500	5
Bolts w/4x6 Meter Lid (Over 90)	C18111802C	C10-1118-2C	21/10	5,000/7,500	5
No Bolts w/4x6 Meter Lid (Under 90)	C08111802D	C00-1118-2C	21/10	5,000/7,500	5
Bolts w/4x6 Meter Lid (Under 90)	C18111802D	C10-1118-2C	21/10	5,000/7,500	5
No Bolts w/6x9 Meter Lid (Over 90)	C08111802E	C00-1118-2C	21/10	5,000/7,500	5
Bolts w/6x9 Meter Lid (Over 90)	C18111802E	C10-1118-2C	21/10	5,000/7,500	5
No Bolts w/6x9 Meter Lid (Under 90)	C08111802F	C00-1118-2C	21/10	5,000/7,500	5
Bolts w/6x9 Meter Lid (Under 90)	C18111802F	C10-1118-2C	21/10	5,000/7,500	5
No Bolts w/Touch Reader Hole	C00111802P	C00-1118-2TR	23/10	8,000/12,000	8
Bolts w/Touch Reader Hole	C10111802P	C10-1118-2TR	23/10	8,000/12,000	8
No Bolts w/6x9 Drop In Reader Lid	C08111802T	C00-1118-2E	23/10	5,000/7,500	5
Bolts w/6x9 Drop In Reader Lid	C18111802T	C10-1118-2E	23/10	5,000/7,500	5

Covers must be used with equivalent Tier boxes or higher (example a Tier 15 cover may not be used with Tier 8 box).

BOXES (Nestable with self-aligning corrosion resistant replaceable nuts)						
DESCRIPTION	PART NO.	Old Catalog No.	DIM. A IN./mm.	WEIGHT# LBS./kg.	DESIGN/TEST LOAD#	ANSI TIER
Tier 8	B10111812A	B10-1118-12	12/305	25/11	8,000/12,000	8
	B10111818A	B10-1118-18	18/457	29/13	8,000/12,000	8
Tier 15	B12111812A	B12-1118-12	12/305	28/13	15,000/22,500	15
	B12111818A	B12-1118-18	18/457	32/15	15,000/22,500	15
Tier 22	B19111812A	special number	12/305	28/13	22,500/33,750	22
	B19111818A	special number	18/457	32/15	22,500/33,750	22
Tier 8 w/ Gasket*	B10111812G	B10-1118-12G	12/305	25/11	8,000/12,000	8
	B10111818G	B10-1118-18G	18/457	29/13	8,000/12,000	8
Tier 15 w/ Gasket*	B12111812G	B12-1118-12G	12/305	28/13	15,000/22,500	15
	B12111818G	B12-1118-18G	18/457	32/15	15,000/22,500	15
Tier 22 w/ Gasket*	B19111812G	special number	12/305	28/13	22,500/33,750	22
	B19111818G	special number	18/457	32/15	22,500/33,750	22
Tier 8 w/ Standard Mouseholes	B10111812M	B10-1118-12	12/305	25/11	8,000/12,000	8
	B10111818M	B10-1118-18	18/457	29/13	8,000/12,000	8
Tier 15 w/ Standard Mouseholes	B12111812M	B12-1118-12	12/305	28/13	15,000/22,500	15
	B12111818M	B12-1118-18	18/457	32/15	15,000/22,500	15
Tier 22 w/ Standard Mouseholes	B19111812M	special number	12/305	28/13	22,500/33,750	22
	B19111818M	special number	18/457	32/15	22,500/33,750	22

*Gaskets reduce the inflow of fluids but do not make the enclosure water tight.

- Loadings comply with ANSI/SCTE 77 (See page 2)

