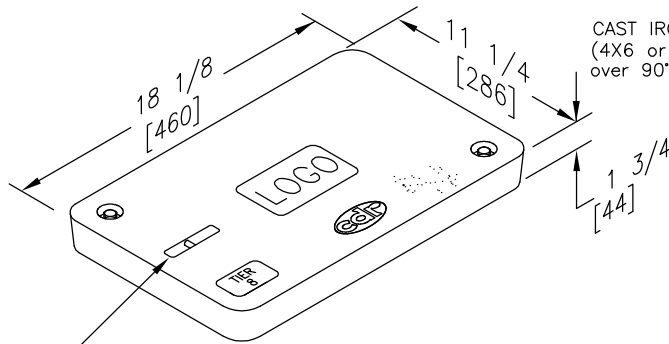


**SPECIFICATIONS/DATA**

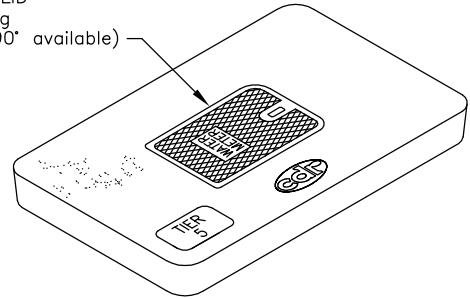
**11" X 18" STRAIGHT WALL STYLE (STACKABLE) ASSEMBLY**



**COVER**

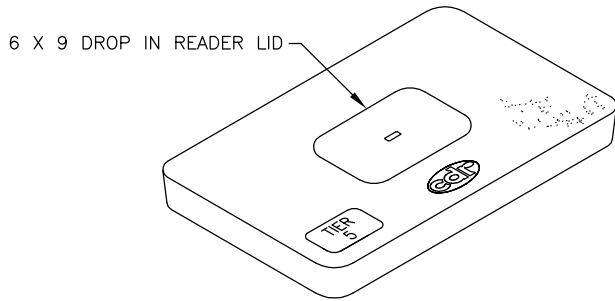
5/8 [16] X 4 [102]  
PULL SLOT

CAST IRON READER LID  
(4X6 or 6X9 opening  
over 90° or under 90° available)

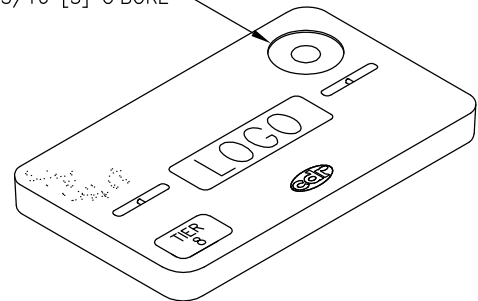


**COVER W/READER LID**

∅2 [51] TOUCH READER HOLE  
w/∅4 1/8 [105] X 3/16 [5] C'BORE

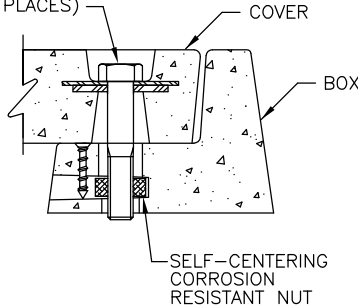


**COVER W/DROP IN READER LID**



**COVER W/TOUCH READER HOLE**

1/2-13 UNC SS  
CAPTIVE PENTA HEAD  
BOLT (2 PLACES)

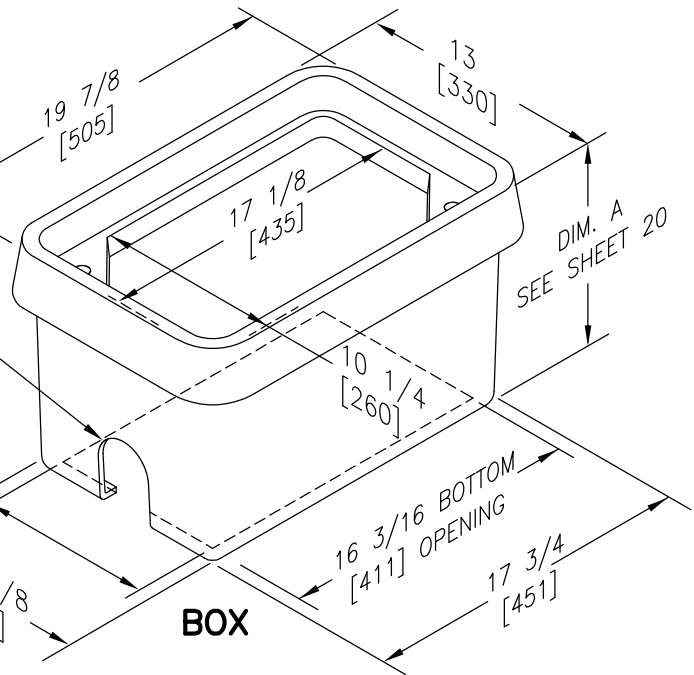


**CAPTIVE BOLT DETAIL**

HEX HEAD BOLTS ARE  
AVAILABLE ON REQUEST

2 1/2 [64] X 3 [76]  
OPTIONAL MOUSEHOLE  
1 EACH END

9 5/16 [237] BOTTOM  
OPENING



**BOX**

Dimensions in brackets are in millimeters

# SPECIFICATIONS/DATA

## 11" X 18" STRAIGHT WALL STYLE (STACKABLE) ASSEMBLY

**COVERS** Bolt down covers have S.S. Captive Penta Head Bolts [Blank unless logo is specified]  
(Hex Head Bolts are available – change 2nd digit in cover part no. to "2")

DESCRIPTION	PART NO.	Old Catalog No.	WEIGHT LBS./kg.	DESIGN/TEST LOAD#	ANSI TIER
Tier 8 w/2 Bolts	C10111802A	C10-1118-02	21/10	8,000/12,000	8
Tier 8 No Bolt Down	C00111802A	C00-1118-02	21/10	8,000/12,000	8
Tier 15 w/2 Bolts	C12111802A	C12-1118-02	23/10	15,000/22,500	15
Tier 15 No Bolt Down	C02111802A	C02-1118-02	23/10	15,000/22,500	15
Tier 22 w/2 Bolts	C16111802A	special number	23/10	22,500/33,750	22
Tier 22 No Bolt Down	C06111802A	special number	23/10	22,500/33,750	22
No Bolts w/4x6 Meter Lid (Over 90)	C08111802C	C00-1118-2C	21/10	5,000/7,500	5
Bolts w/4x6 Meter Lid (Over 90)	C18111802C	C10-1118-2C	21/10	5,000/7,500	5
No Bolts w/4x6 Meter Lid (Under 90)	C08111802D	C00-1118-2C	21/10	5,000/7,500	5
Bolts w/4x6 Meter Lid (Under 90)	C18111802D	C10-1118-2C	21/10	5,000/7,500	5
No Bolts w/6x9 Meter Lid (Over 90)	C08111802E	C00-1118-2C	21/10	5,000/7,500	5
Bolts w/6x9 Meter Lid (Over 90)	C18111802E	C10-1118-2C	21/10	5,000/7,500	5
No Bolts w/6x9 Meter Lid (Under 90)	C08111802F	C00-1118-2C	21/10	5,000/7,500	5
Bolts w/6x9 Meter Lid (Under 90)	C18111802F	C10-1118-2C	21/10	5,000/7,500	5
No Bolts w/Touch Reader Hole	C00111802P	C00-1118-2TR	23/10	8,000/12,000	8
Bolts w/Touch Reader Hole	C10111802P	C10-1118-2TR	23/10	8,000/12,000	8
No Bolts w/6x9 Drop In Reader Lid	C08111802T	C00-1118-2E	23/10	5,000/7,500	5
Bolts w/6x9 Drop In Reader Lid	C18111802T	C10-1118-2E	23/10	5,000/7,500	5

Covers must be used with equivalent Tier boxes or higher (example a Tier 15 cover may not be used with Tier 8 box).

### BOXES (Stackable with self-aligning corrosion resistant replaceable nuts)

DESCRIPTION	PART NO.	Old Catalog No.	DIM. A IN./mm.	WEIGHT LBS./kg.	DESIGN/TEST LOAD#	ANSI TIER
Tier 8 Open Bottom	B13111812A	B13-1118-12	12/305	25/11	8,000/12,000	8
	B13111818A	B13-1118-18	18/457	29/13	8,000/12,000	8
Tier 15 Open Bottom	B14111812A	B14-1118-12	12/305	28/13	15,000/22,500	15
	B14111818A	B14-1118-18	18/457	32/15	15,000/22,500	15
Tier 22 Open Bottom	B16111812A	special number	12/305	28/13	22,500/33,750	22
	B16111818A	special number	18/457	32/15	22,500/33,750	22
Tier 8 Solid Bottom	B13111812B	B13-1118-12B	12/305	27/12	8,000/12,000	8
	B13111818B	B13-1118-18B	18/457	31/14	8,000/12,000	8
Tier 15 Solid Bottom	B14111812B	B14-1118-12B	12/305	30/14	15,000/22,500	15
	B14111818B	B14-1118-18B	18/457	34/15	15,000/22,500	15
Tier 22 Solid Bottom	B16111812B	special number	12/305	30/14	22,500/33,750	22
	B16111818B	special number	18/457	34/15	22,500/33,750	22
Tier 8 Open Bottom W/ Gasket*	B13111812G	B13-1118-12G	12/305	25/11	8,000/12,000	8
	B13111818G	B13-1118-18G	18/457	29/13	8,000/12,000	8
Tier 15 Open Bottom w/ Gasket*	B14111812G	B14-1118-12G	12/305	28/13	15,000/22,500	15
	B14111818G	B14-1118-18G	18/457	32/15	15,000/22,500	15
Tier 22 Open Bottom W/ Gasket*	B16111812G	special number	12/305	28/13	22,500/33,750	22
	B16111818G	special number	18/457	32/15	22,500/33,750	22
Tier 8 Solid Bottom W/ Gasket*	B131118500	B13-1118-12BG	12/305	25/11	8,000/12,000	8
	B131118501	B13-1118-18BG	18/457	29/13	8,000/12,000	8
Tier 15 Solid Bottom w/ Gasket*	B141118500	B14-1118-12BG	12/305	28/13	15,000/22,500	15
	B141118501	B14-1118-18BG	18/457	32/15	15,000/22,500	15
Tier 22 Solid Bottom W/ Gasket*	B161118500	special number	12/305	28/13	22,500/33,750	22
	B161118501	special number	18/457	32/15	22,500/33,750	22
Tier 8 Open Bottom w/ Standard Mouseholes	B13111812M	B13-1118-12	12/305	25/11	8,000/12,000	8
	B13111818M	B13-1118-18	18/457	29/13	8,000/12,000	8
Tier 15 Open Bottom w/ Standard Mouseholes	B14111812M	B14-1118-12	12/305	28/13	15,000/22,500	15
	B14111818M	B14-1118-18	18/457	32/15	15,000/22,500	15
Tier 22 Open Bottom w/ Standard Mouseholes	B16111812M	special number	12/305	28/13	22,500/33,750	22
	B16111818M	special number	18/457	32/15	22,500/33,750	22

\*Gaskets reduce the inflow of fluids but do not make the enclosure water tight.

● Loadings comply with ANSI/SCTE 77 (See pages 3 & 4)

