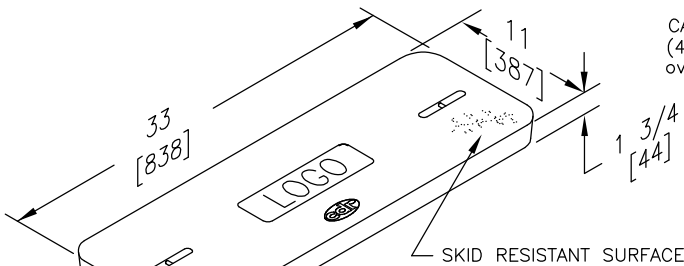


SPECIFICATIONS/DATA

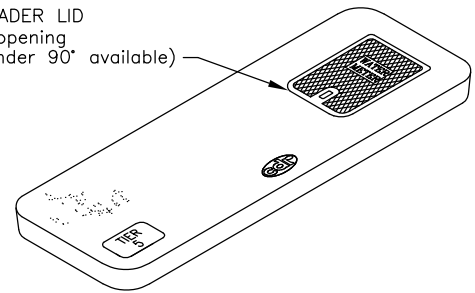
11" X 32" ASSEMBLIES



COVER

5/8 [16] X 4 [102]
PULL SLOT (2 PLACES)

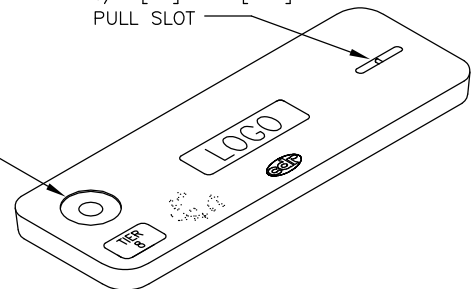
CAST IRON READER LID
(4X6 or 6X9 opening
over 90° or under 90° available)



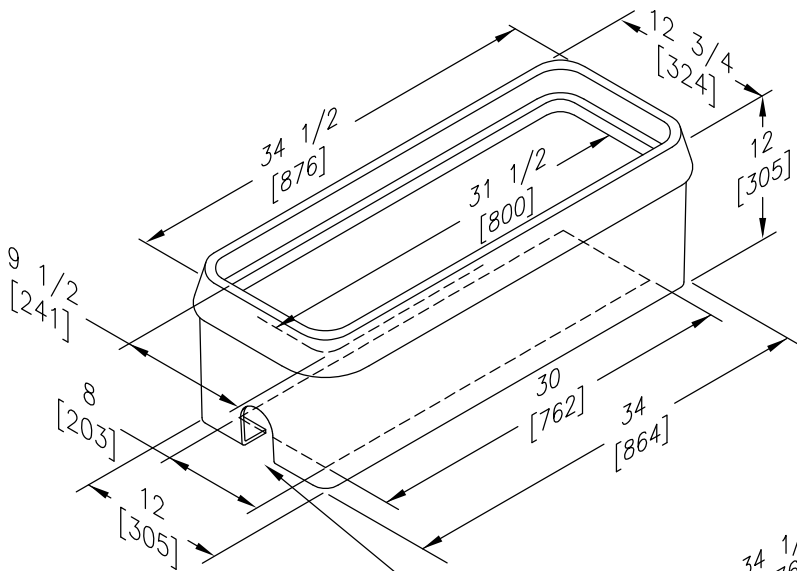
COVER W/READER LID

5/8 [16] X 4 [102]
PULL SLOT

∅2 [51] TOUCH READER HOLE
w/∅4 1/8 [105] X 3/16 [5] C'BORE

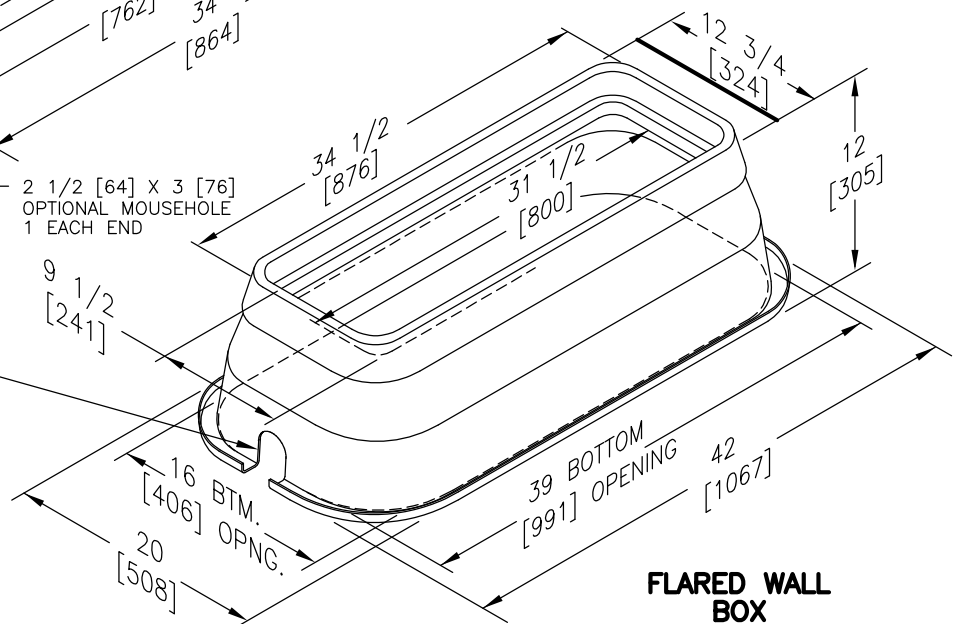


COVER W/TOUCH READER HOLE



STRAIGHT WALL BOX

2 1/2 [64] X 3 [76]
OPTIONAL MOUSEHOLE
1 EACH END



FLARED WALL BOX

Dimensions in brackets are in millimeters

COVERS Bolt down covers have S.S. Captive Penta Head Bolts [Blank unless logo is specified]
 (Hex Head Bolts are available – change 2nd digit in cover part no. to "2")

| DESCRIPTION | PART NO. | Old Catalog No. | WEIGHT LBS./kg. | DESIGN/TEST LOAD# | ANSI TIER |
|-------------------------------------|------------|-----------------|--------------------|----------------------|--------------|
| Tier 8 No Bolt Down | C00113202A | WC00-1132-02 | 40/18 | 8,000/12,000 | 8 |
| Tier 15 No Bolt Down | C02113202A | WC02-1132-02 | 43/19 | 15,000/22,500 | 15 |
| No Bolts w/4x6 Meter Lid (Over 90) | C00113202C | WC00-1132-2C | 40/18 | 5,000/7,500 | 5 |
| No Bolts w/4x6 Meter Lid (Under 90) | C00113202D | WC00-1132-2C | 40/18 | 5,000/7,500 | 5 |
| No Bolts w/6x9 Meter Lid (Over 90) | C00113202E | WC00-1132-2C | 40/18 | 5,000/7,500 | 5 |
| No Bolts w/6x9 Meter Lid (Under 90) | C00113202F | WC00-1132-2C | 40/18 | 5,000/7,500 | 5 |
| No Bolts w/Touch Reader Hole | C00113202P | WC00-1132-2TR | 40/18 | 8,000/12,000 | 8 |

STRAIGHT WALL BOXES

| DESCRIPTION | PART NO. | Old Catalog No. | WEIGHT LBS./kg. | DESIGN/TEST LOAD# | ANSI TIER |
|---|------------|-----------------|--------------------|----------------------|--------------|
| Tier 8 Open Bottom No Bolt down | B03113212A | WB03-1132-12 | 40/18 | 8,000/12,000 | 8 |
| Tier 15 Open Bottom No Bolt down | B04113212A | WB04-1132-12 | 44/20 | 15,000/22,500 | 15 |
| Tier 8 Solid Bottom No Bolt down | B03113212B | WB03-1132-12B | 42/19 | 8,000/12,000 | 8 |
| Tier 15 Solid Bottom No Bolt down | B04113212B | WB04-1132-12B | 46/21 | 15,000/22,500 | 15 |
| Tier 8 Open Bottom No Bolt down w/ Standard Mouseholes | B03113212M | WB03-1132-12 | 40/18 | 8,000/12,000 | 8 |
| Tier 15 Open Bottom No Bolt down w/ Standard Mouseholes | B04113212M | WB04-1132-12 | 44/20 | 15,000/22,500 | 15 |

FLARED WALL BOXES

| DESCRIPTION | PART NO. | Old Catalog No. | WEIGHT# LBS./kg. | DESIGN/TEST LOAD# | ANSI TIER |
|--|------------|-----------------|---------------------|----------------------|--------------|
| Tier 8 No Bolt down | B00113212A | WB00-1132-12 | 40/18 | 8,000/12,000 | 8 |
| Tier 15 No Bolt down | B02113212A | WB02-1132-12 | 44/20 | 15,000/22,500 | 15 |
| Tier 8 No Bolt down w/ Standard Mouseholes | B00113212M | WB00-1132-12 | 40/18 | 8,000/12,000 | 8 |
| Tier 15 No Bolt down w/ Standard Mouseholes | B02113212M | WB02-1132-12 | 44/20 | 15,000/22,500 | 15 |

• Loadings comply with ANSI/SCTE 77 (See page 3 & 4)