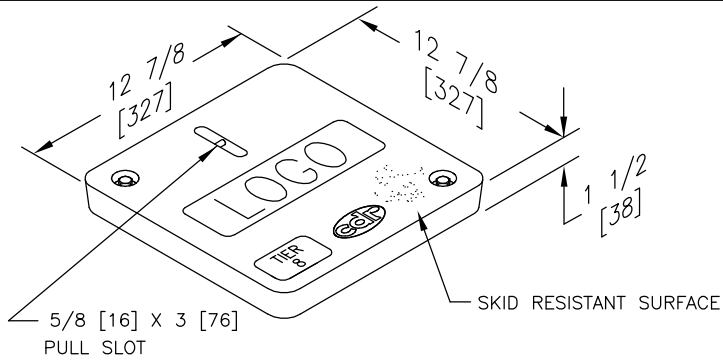
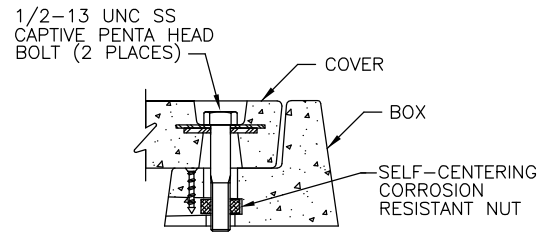


SPECIFICATIONS/DATA

12" X 12" ASSEMBLIES



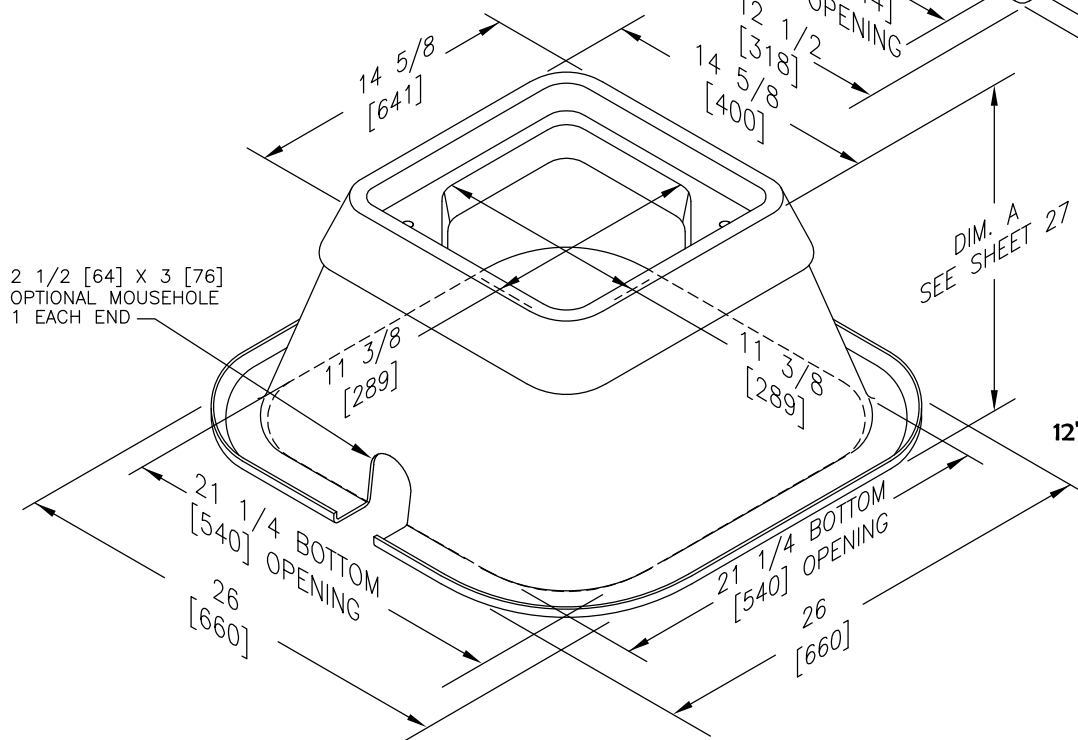
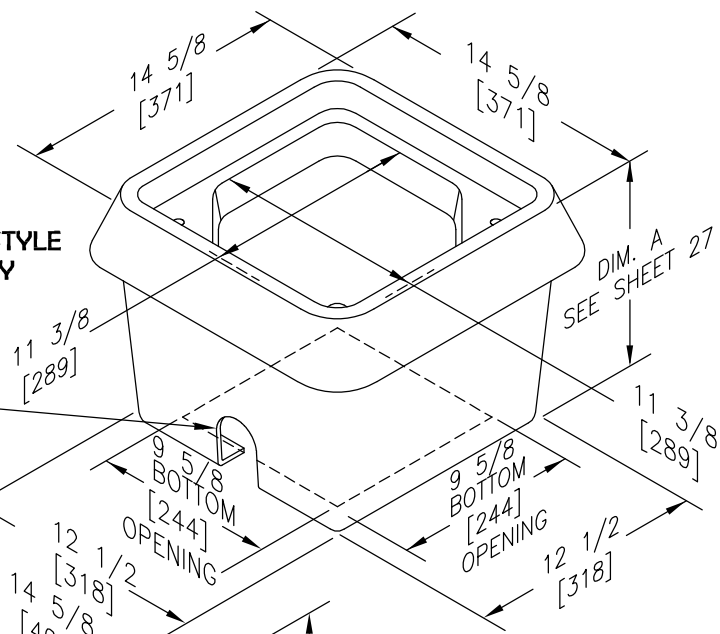
COVER



CAPTIVE BOLT DETAIL

HEX HEAD BOLTS ARE AVAILABLE ON REQUEST

12" X 12" STRAIGHT WALL STYLE (STACKABLE) ASSEMBLY



12" X 12" FLARED WALL STYLE (NESTABLE) ASSEMBLY

Dimensions in brackets are in millimeters

SPECIFICATIONS/DATA

12" X 12" ASSEMBLIES

COVERS Bolt down covers have S.S. Captive Penta Head Bolts [Blank unless logo is specified]
(Hex Head Bolts are available – change 2nd digit in cover part no. to "2")

DESCRIPTION	PART NO.	Old Catalog No.	WEIGHT LBS./kg.	DESIGN/TEST LOAD#	ANSI TIER
Tier 8 w/2 Bolts	C10121202A	C10-1212-02	14/6	8,000/12,000	8
Tier 8 No Bolt Dwon	C00121202A	C00-1212-02	14/6	8,000/12,000	8
Tier 15 w/2 Bolts	C12121202A	C12-1212-02	15/7	15,000/22,500	15
Tier 15 No Bolt Down	C02121202A	C02-1212-02	15/7	15,000/22,500	15
Tier 22 w/2 Bolts	C16121202A	special number	15/7	15,000/22,500	22
Tier 22 No Bolt Down	C06121202A	special number	15/7	15,000/22,500	22

Covers must be used with equivalent Tier boxes or higher (example a Tier 15 cover may not be used with Tier 8 box).

BOXES (Stackable with self-aligning corrosion resistant replaceable nuts)

DESCRIPTION	PART NO.	Old Catalog No.	DIM. A IN./mm.	WEIGHT LBS./kg.	DESIGN/TEST LOAD#	ANSI TIER
Tier 8 Open Bottom	B13121212A	B13-1212-12	12/305	26/12	8,000/12,000	8
Tier 15 Open Bottom	B14121212A	B14-1212-12	12/305	30/14	15,000/22,500	15
Tier 22 Open Bottom	B16121212A	special number	12/305	30/14	22,500/33,750	22
Tier 8 Solid Bottom	B13121212B	B13-1212-12B	12/305	27/12	8,000/12,000	8
Tier 15 Solid Bottom	B14121212B	B14-1212-12B	12/305	31/14	15,000/22,500	15
Tier 22 Solid Bottom	B16121212B	special number	12/305	31/14	22,500/33,750	22
Tier 8 Open Bottom W/ Gasket*	B13121212G	B13-1212-12G	12/305	26/12	8,000/12,000	8
Tier 15 Open Bottom w/ Gasket*	B14121212G	B14-1212-12G	12/305	30/14	15,000/22,500	15
Tier 22 Open Bottom w/ Gasket*	B16121212G	special number	12/305	30/14	22,500/33,750	22
Tier 8 Solid Bottom W/ Gasket*	B131212500	B13-1212-12B	12/305	27/12	8,000/12,000	8
Tier 15 Solid Bottom w/ Gasket*	B141212500	B14-1212-12BG	12/305	31/14	15,000/22,500	15
Tier 22 Solid Bottom w/ Gasket*	B161212500	special number	12/305	31/14	22,500/33,750	22
Tier 8 Open Bottom w/ Standard Mouseholes	B13121212M	B13-1212-12	12/305	26/12	8,000/12,000	8
Tier 15 Open Bottom w/ Standard Mouseholes	B14121212M	B14-1212-12	12/305	30/14	15,000/22,500	15
Tier 22 Open Bottom w/ Standard Mouseholes	B16121212M	special number	12/305	30/14	22,500/33,750	22

*Gaskets reduce the inflow of fluids but do not make the enclosure water tight.

BOXES (Nestable with self-aligning corrosion resistant replaceable nuts)

DESCRIPTION	PART NO.	Old Catalog No.	DIM. A IN./mm.	WEIGHT# LBS./kg.	DESIGN/TEST LOAD#	ANSI TIER
Tier 8	B10121212A	B10-1212-12	12/305	28/13	8,000/12,000	8
	B10121224A	B10-1212-24	24/610	45/20	8,000/12,000	8
Tier 15	B12121212A	B12-1212-12	12/305	32/15	15,000/22,500	15
	B12121224A	B12-1212-24	24/610	51/23	15,000/22,500	15
Tier 22	B19121212A	special number	12/305	32/15	22,500/33,750	22
	B19121224A	special number	24/610	51/23	22,500/33,750	22
Tier 8 w/ Gasket*	B10121212G	B10-1212-12G	12/305	28/13	8,000/12,000	8
	B10121224G	B10-1212-24G	24/610	45/20	8,000/12,000	8
Tier 15 w/ Gasket*	B12121212G	B12-1212-12G	12/305	32/15	15,000/22,500	15
	B12121224G	B12-1212-24G	24/610	51/23	15,000/22,500	15
Tier 22 w/ Gasket*	B19121212G	special number	12/305	32/15	22,500/33,750	22
	B19121224G	special number	24/610	51/23	22,500/33,750	22
Tier 8 w/ Standard Mouseholes	B10121212M	B10-1212-12	12/305	28/13	8,000/12,000	8
	B10121224M	B10-1212-24	24/610	45/20	8,000/12,000	8
Tier 15 w/ Standard Mouseholes	B12121212M	B12-1212-12	12/305	32/15	15,000/22,500	15
	B12121224M	B12-1212-24	24/610	51/23	15,000/22,500	15
Tier 22 w/ Standard Mouseholes	B19121212M	special number	12/305	32/15	22,500/33,750	22
	B19121224M	special number	24/610	51/23	22,500/33,750	22

*Gaskets reduce the inflow of fluids but do not make the enclosure water tight.

• Loadings comply with ANSI/SCTE 77 (See page 3 & 4)

