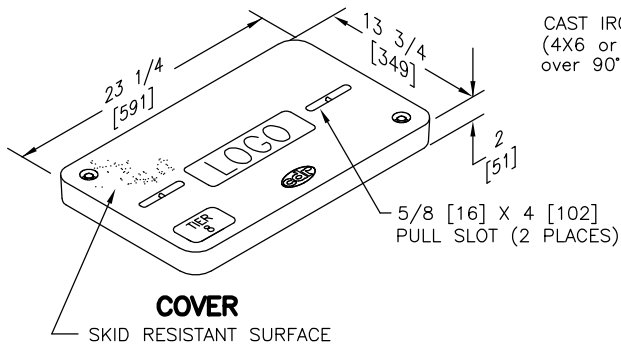
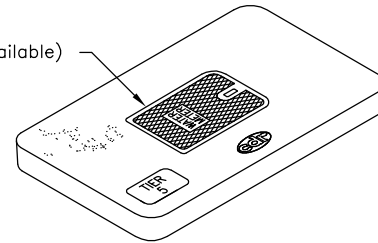


SPECIFICATIONS/DATA

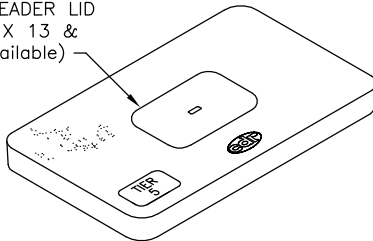
13" X 24" FLARED WALL STYLE (NESTABLE) ASSEMBLY



CAST IRON READER LID
(4X6 or 6X9 opening
over 90° or under 90° available)

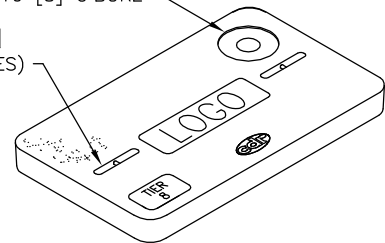


DROP IN READER LID
(6 X 9, 7 X 13 &
9 X 15 available)



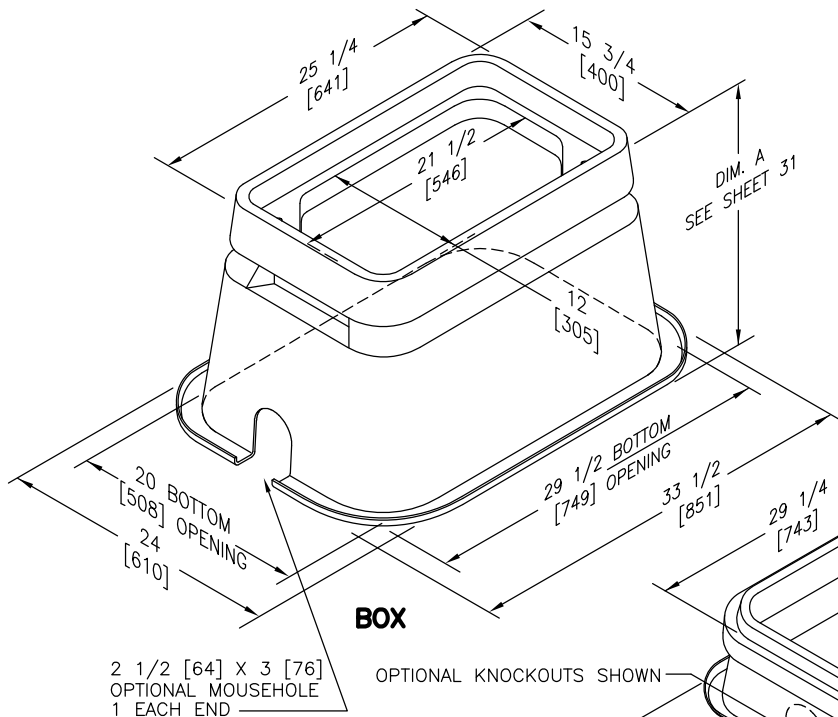
Ø2 [51] TOUCH READER HOLE
w/Ø4 1/8 [105] X 3/16 [5] C'BORE

5/8 [16] X 4 [102]
PULL SLOT (2 PLACES)

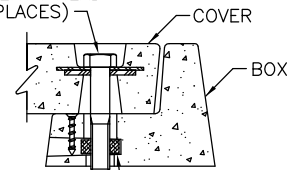


COVER W/DROP IN READER LID

COVER W/TOUCH READER HOLE

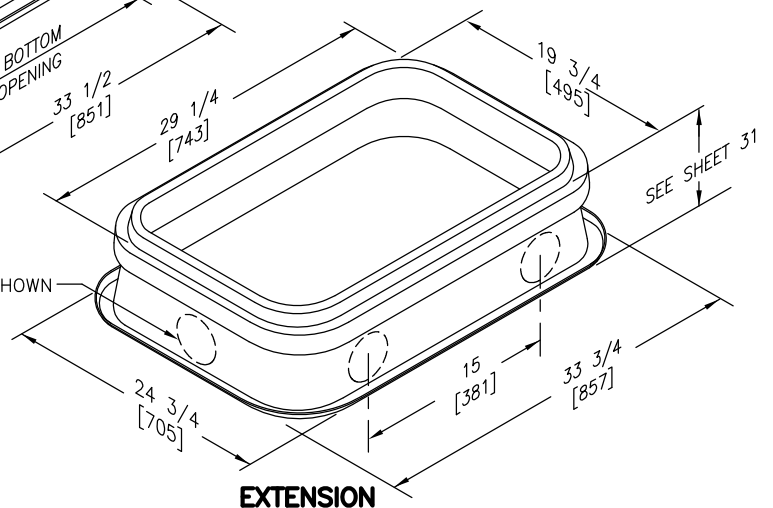


1/2-13 UNC SS
CAPTIVE PENTA HEAD
BOLT (2 PLACES)



SELF-CENTERING
CORROSION
RESISTANT NUT

CAPTIVE BOLT DETAIL
HEX HEAD BOLTS ARE
AVAILABLE ON REQUEST



Dimensions in brackets are in millimeters



SPECIFICATIONS/DATA

13" X 24" FLARED WALL STYLE (NESTABLE) ASSEMBLY

COVERS Bolt down covers have S.S. Captive Penta Head Bolts [Blank unless logo is specified] (Hex Head Bolts are available – change 2nd digit in cover part no. to "2")

DESCRIPTION	PART NO.	Old Catalog No.	WEIGHT# LBS./kg.	DESIGN/TEST LOAD#	ANSI TIER
Tier 8 w/2 Bolts	C10132402A	C10-1324-02	26/12	8,000/12,000	8
Tier 15 No Bolt Down	C00132402A	C00-1324-02	26/12	8,000/12,000	8
Tier 8 w/2 Bolts	C12132402A	C12-1324-02	40/18	15,000/22,500	15
Tier 15 No Bolt Down	C02132402A	C02-1324-02	40/18	15,000/22,500	15
Tier 22 w/2 Bolts	C16132402A	special number	40/18	22,500/33,750	22
Tier 22 No Bolt Down	C06132402A	special number	40/18	22,500/33,750	22
No Bolts w/4x6 Meter Lid (Over 90)	C08132402C	C00-1324-2C	24/11	5,000/7,500	5
Bolts w/4x6 Meter Lid (Over 90)	C18132402C	C10-1324-2C	24/11	5,000/7,500	5
No Bolts w/4x6 Meter Lid (Under 90)	C08132402D	C00-1324-2C	24/11	5,000/7,500	5
Bolts w/4x6 Meter Lid (Under 90)	C18132402D	C10-1324-2C	24/11	5,000/7,500	5
No Bolts w/6x9 Meter Lid (Over 90)	C08132402E	C00-1324-2C	24/11	5,000/7,500	5
Bolts w/6x9 Meter Lid (Over 90)	C18132402E	C10-1324-2C	24/11	5,000/7,500	5
No Bolts w/6x9 Meter Lid (Under 90)	C08132402F	C00-1324-2C	24/11	5,000/7,500	5
Bolts w/6x9 Meter Lid (Under 90)	C18132402F	C10-1324-2C	24/11	5,000/7,500	5
No Bolts w/Touch Reader Hole	C00132402P	C00-1324-2TR	26/12	8,000/12,000	8
Bolts w/Touch Reader Hole	C10132402P	C10-1324-2TR	26/12	8,000/12,000	8
No Bolts w/6x9 Drop In Reader Lid	C08132402T	C00-1324-2E	40/18	5,000/7,500	5
Bolts w/6x9 Drop In Reader Lid	C18132402T	C10-1324-2E	40/18	5,000/7,500	5
No Bolts w/7x13 Drop In Reader Lid	C08132402U	C00-1324-2E	40/18	5,000/7,500	5
Bolts w/7x13 Drop In Reader Lid	C18132402U	C10-1324-2E	40/18	5,000/7,500	5
No Bolts w/9x15 Drop In Reader Lid	C08132402V	C00-1324-2E	40/18	5,000/7,500	5
Bolts w/9x15 Drop In Reader Lid	C18132402V	C10-1324-2E	40/18	5,000/7,500	5

Covers must be used with equivalent Tier boxes or higher (example a Tier 15 cover may not be used with Tier 8 box).

BOXES (Nestable with self-aligning corrosion resistant replaceable nuts)

DESCRIPTION	PART NO.	Old Catalog No.	DIM. A IN./mm.	WEIGHT# LBS./kg.	DESIGN/TEST LOAD#
Tier 8	B10132412A	B10-1324-12	12/305	38/17	8,000/12,000
	B10132418A	B10-1324-18	18/457	44/20	8,000/12,000
	B10132424A	B10-1324-24	24/610	52/24	8,000/12,000
Tier 15	B12132412A	B12-1324-12	12/305	42/19	15,000/22,500
	B12132418A	B12-1324-18	18/457	50/23	15,000/22,500
	B12132424A	B12-1324-24	24/610	58/26	15,000/22,500
Tier 22	B19132412A	special number	12/305	42/19	22,500/33,750
	B19132418A	special number	18/457	50/23	22,500/33,750
	B19132424A	special number	24/610	58/26	22,500/33,750
Tier 8 w/ Gasket*	B10132412G	B10-1324-12G	12/305	38/17	8,000/12,000
	B10132418G	B10-1324-18G	18/457	44/20	8,000/12,000
	B10132424G	B10-1324-24G	24/610	52/24	8,000/12,000
Tier 15 w/ Gasket*	B12132412G	B12-1324-12G	12/305	42/19	15,000/22,500
	B12132418G	B12-1324-18G	18/457	50/23	15,000/22,500
	B12132424G	B12-1324-24G	24/610	58/26	15,000/22,500
Tier 22 w/ Gasket*	B19132412G	special number	12/305	42/19	22,500/33,750
	B19132418G	special number	18/457	50/23	22,500/33,750
	B19132424G	special number	24/610	58/26	22,500/33,750
Tier 8 w/ Standard Mouseholes	B10132412M	B10-1324-12	12/305	38/17	8,000/12,000
	B10132418M	B10-1324-18	18/457	44/20	8,000/12,000
	B10132424M	B10-1324-24	24/610	52/24	8,000/12,000
Tier 15 w/ Standard Mouseholes	B12132412M	B12-1324-12	12/305	42/19	15,000/22,500
	B12132418M	B12-1324-18	18/457	50/23	15,000/22,500
	B12132424M	B12-1324-24	24/610	58/26	15,000/22,500
Tier 22 w/ Standard Mouseholes	B19132412M	special number	12/305	42/19	22,500/33,750
	B19132418M	special number	18/457	50/23	22,500/33,750
	B19132424M	special number	24/610	58/26	22,500/33,750

*Gaskets reduce the inflow of fluids but do not make the enclosure water tight.

- Loadings comply with ANSI/SCTE 77 (See page 3 & 4)

EXTENSION (Optional Knockouts or Terminators are available)

DESCRIPTION	PART NO.	Old Catalog No.	WEIGHT# LBS./kg.	DESIGN/TEST LOAD#	ANSI TIER
Tier 8 8" Deep	E00132408A	E00-1324-08	33/15	8,000/12,000	8
Tier 15 8" Deep	E02132408A	E02-1324-08	38/17	15,000/22,500	15

12" [305] deep flared wall boxes will not work with extensions

