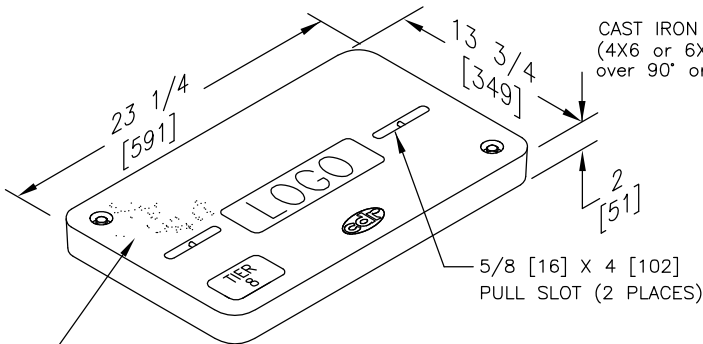


# SPECIFICATIONS/DATA

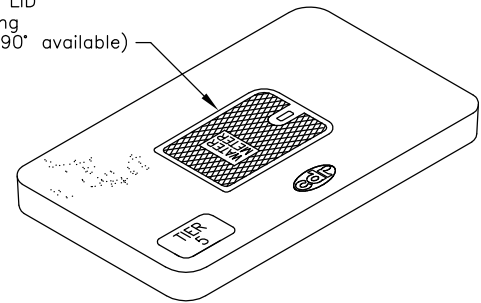
## 13" X 24" STRAIGHT WALL STYLE (STACKABLE) ASSEMBLY



**COVER**

SKID RESISTANT SURFACE

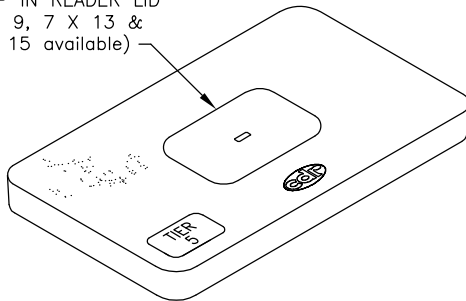
CAST IRON READER LID  
 (4X6 or 6X9 opening  
 over 90° or under 90° available)



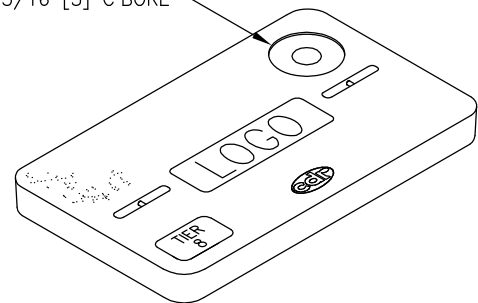
**COVER W/READER LID**

$\varnothing$  2 [51] TOUCH READER HOLE  
 w/ $\varnothing$  4  $\frac{1}{8}$  [105] X  $\frac{3}{16}$  [5] C'BORE

DROP IN READER LID  
 (6 X 9, 7 X 13 &  
 9 X 15 available)

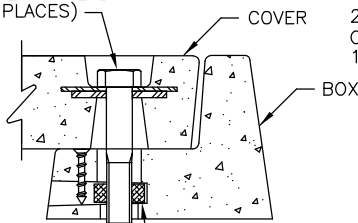


**COVER W/DROP IN READER LID**



**COVER W/TOUCH READER HOLE**

$\frac{1}{2}$ -13 UNC SS  
 CAPTIVE PENTA HEAD  
 BOLT (2 PLACES)

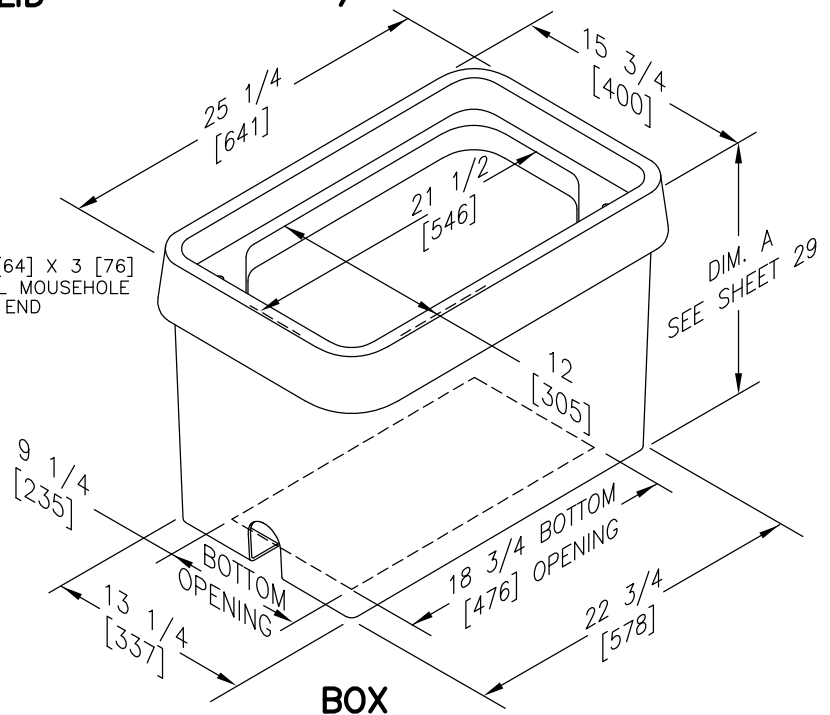


$2 \frac{1}{2}$  [64] X 3 [76]  
 OPTIONAL MOUSEHOLE  
 1 EACH END

SELF-CENTERING  
 CORROSION  
 RESISTANT NUT

**CAPTIVE BOLT DETAIL**

HEX HEAD BOLTS ARE  
 AVAILABLE ON REQUEST



**BOX**

Dimensions in brackets are in millimeters



# SPECIFICATIONS/DATA

## 13" X 24" STRAIGHT WALL STYLE (STACKABLE) ASSEMBLY

**COVERS** Bolt down covers have S.S. Captive Penta Head Bolts [Blank unless logo is specified]  
(Hex Head Bolts are available – change 2nd digit in cover part no. to "2")

DESCRIPTION	PART NO.	Old Catalog No.	WEIGHT LBS./kg.	DESIGN/TEST LOAD#	ANSI TIER
Tier 8 w/2 Bolts	C10132402A	C10-1324-02	26/12	8,000/12,000	8
Tier 8 No Bolt Down	C00132402A	C00-1324-02	26/12	8,000/12,000	8
Tier 15 w/2 Bolts	C12132402A	C12-1324-02	40/18	15,000/22,500	15
Tier 15 No Bolt Down	C02132402A	C02-1324-02	40/18	15,000/22,500	15
Tier 22 w/2 Bolts	C16132402A	special number	40/18	22,500/33,750	22
Tier 22 No Bolt Down	C06132402A	special number	40/18	22,500/33,750	22
No Bolts w/4x6 Meter Lid (Over 90)	C08132402C	C00-1324-2C	24/11	5,000/7,500	5
Bolts w/4x6 Meter Lid (Over 90)	C18132402C	C10-1324-2C	24/11	5,000/7,500	5
No Bolts w/4x6 Meter Lid (Under 90)	C08132402D	C00-1324-2C	24/11	5,000/7,500	5
Bolts w/4x6 Meter Lid (Under 90)	C18132402D	C10-1324-2C	24/11	5,000/7,500	5
No Bolts w/6x9 Meter Lid (Over 90)	C08132402E	C00-1324-2C	24/11	5,000/7,500	5
Bolts w/6x9 Meter Lid (Over 90)	C18132402E	C10-1324-2C	24/11	5,000/7,500	5
No Bolts w/6x9 Meter Lid (Under 90)	C08132402F	C00-1324-2C	24/11	5,000/7,500	5
Bolts w/6x9 Meter Lid (Under 90)	C18132402F	C10-1324-2C	24/11	5,000/7,500	5
No Bolts w/Touch Reader Hole	C00132402P	C00-1324-2TR	26/12	8,000/12,000	8
Bolts w/Touch Reader Hole	C10132402P	C10-1324-2TR	26/12	8,000/12,000	8
No Bolts w/6x9 Drop In Reader Lid	C08132402T	C00-1324-2E	40/18	5,000/7,500	5
Bolts w/6x9 Drop In Reader Lid	C18132402T	C10-1324-2E	40/18	5,000/7,500	5
No Bolts w/7x13 Drop In Reader Lid	C08132402U	C00-1324-2E	40/18	5,000/7,500	5
Bolts w/7x13 Drop In Reader Lid	C18132402U	C10-1324-2E	40/18	5,000/7,500	5
No Bolts w/9x15 Drop In Reader Lid	C08132402V	C00-1324-2E	40/18	5,000/7,500	5
Bolts w/9x15 Drop In Reader Lid	C18132402V	C10-1324-2E	40/18	5,000/7,500	5

Covers must be used with equivalent Tier boxes or higher (example a Tier 15 cover may not be used with Tier 8 box).

### BOXES (Stackable with self-aligning corrosion resistant replaceable nuts)

DESCRIPTION	PART NO.	Old Catalog No.	DIM. A IN./mm.	WEIGHT LBS./kg.	DESIGN/TEST LOAD#	ANSI TIER
Tier 8 Open Bottom	B13132412A	B13-1324-12	12/305	38/17	8,000/12,000	8
	B13132418A	B13-1324-18	18/457	44/20	8,000/12,000	8
Tier 15 Open Bottom	B14132412A	B14-1324-12	12/305	42/19	15,000/22,500	15
	B14132418A	B14-1324-18	18/457	50/23	15,000/22,500	15
Tier 22 Open Bottom	B16132412A	special number	12/305	42/19	22,500/33,750	22
	B16132418A	special number	18/457	50/23	22,500/33,750	22
Tier 8 Solid Bottom	B13132412B	B13-1324-12B	12/305	40/18	8,000/12,000	8
	B13132418B	B13-1324-18B	18/457	46/21	8,000/12,000	8
Tier 15 Solid Bottom	B14132412B	B14-1324-12B	12/305	44/20	15,000/22,500	15
	B14132418B	B14-1324-18B	18/457	52/24	15,000/22,500	15
Tier 22 Solid Bottom	B16132412B	special number	12/305	44/20	22,500/33,750	22
	B16132418B	special number	18/457	52/24	22,500/33,750	22
Tier 8 Open Bottom w/ Gasket*	B13132412G	B13-1324-12G	12/305	38/17	8,000/12,000	8
	B13132418G	B13-1324-18G	18/457	44/20	8,000/12,000	8
Tier 15 Open Bottom w/ Gasket*	B14132412G	B14-1324-12G	12/305	42/19	15,000/22,500	15
	B14132418G	B14-1324-18G	18/457	50/23	15,000/22,500	15
Tier 22 Open Bottom w/ Gasket*	B16132412G	special number	12/305	42/19	22,500/33,750	22
	B16132418G	special number	18/457	50/23	22,500/33,750	22
Tier 8 Solid Bottom w/ Gasket*	B131324500	B13-1324-12BG	12/305	40/18	8,000/12,000	8
	B131324501	B13-1324-18BG	18/457	46/21	8,000/12,000	8
Tier 15 Solid Bottom w/ Gasket*	B141324500	B14-1324-12BG	12/305	44/20	15,000/22,500	15
	B141324501	B14-1324-18BG	18/457	52/24	15,000/22,500	15
Tier 22 Solid Bottom w/ Gasket*	B161324500	special number	12/305	44/20	22,500/33,750	22
	B161324501	special number	18/457	52/24	22,500/33,750	22
Tier 8 Open Bottom w/ Standard Mouseholes	B13132412M	B13-1324-12	12/305	38/17	8,000/12,000	8
	B13132418M	B13-1324-18	18/457	44/20	8,000/12,000	8
Tier 15 Open Bottom w/ Standard Mouseholes	B14132412M	B14-1324-12	12/305	42/19	15,000/22,500	15
	B14132418M	B14-1324-18	18/457	50/23	15,000/22,500	15
Tier 22 Open Bottom w/ Standard Mouseholes	B16132412M	special number	12/305	42/19	22,500/33,750	22
	B16132418M	special number	18/457	50/23	22,500/33,750	22

\*Gaskets reduce the inflow of fluids but do not make the enclosure water tight.

● Loadings comply with ANSI/SCTE 77 (See page 3 & 4)

