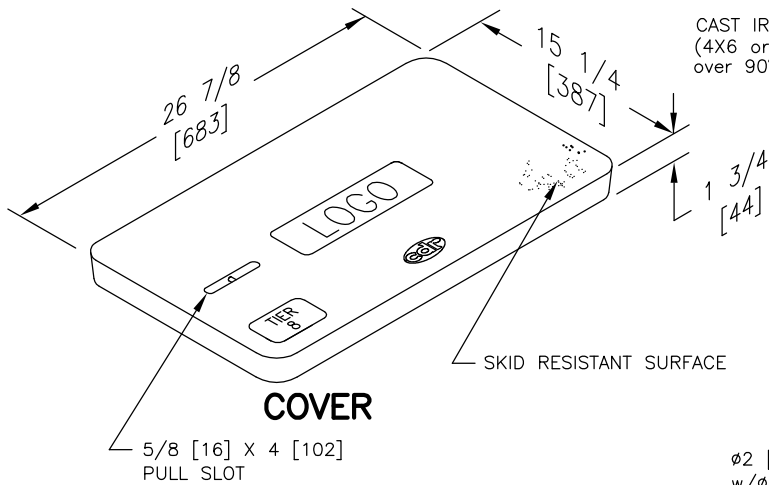
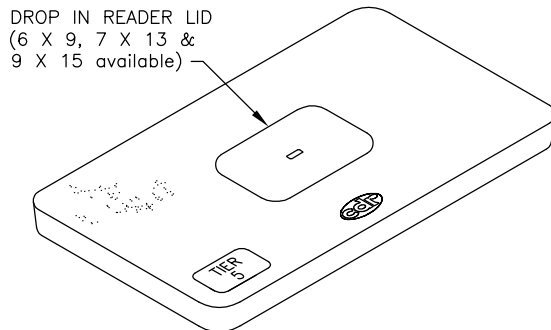
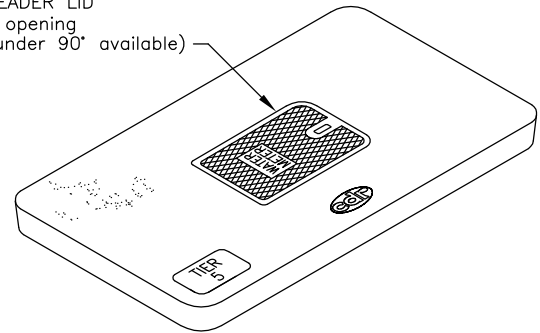


# SPECIFICATIONS/DATA

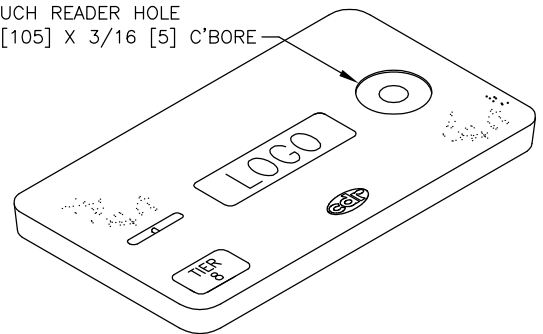
## 15" X 27" STRAIGHT WALL STYLE (STACKABLE) ASSEMBLY



CAST IRON READER LID  
 (4X6 or 6X9 opening  
 over 90° or under 90° available)

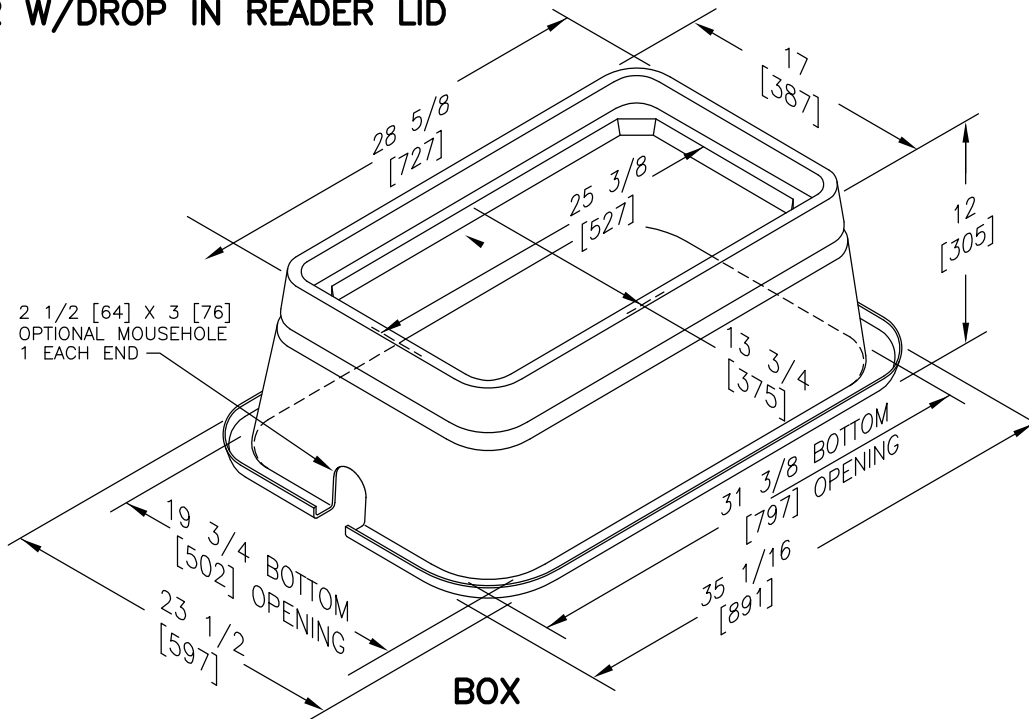


$\varnothing 2$  [51] TOUCH READER HOLE  
 w/ $\varnothing 4 \frac{1}{8}$  [105] X  $\frac{3}{16}$  [5] C'BORE



**COVER W/DROP IN READER LID**

**COVER W/TOUCH READER HOLE**



Dimensions in brackets are in millimeters



# SPECIFICATIONS/DATA

15" X 27" FLARED WALL STYLE (NESTABLE) ASSEMBLY

**COVERS** Bolt down covers have S.S. Captive Penta Head Bolts [Blank unless logo is specified]  
 (Hex Head Bolts are available – change 2nd digit in cover part no. to "2")

DESCRIPTION	PART NO.	Old Catalog No.	WEIGHT LBS./kg.	DESIGN/TEST LOAD#	ANSI TIER
Tier 8 No Bolt Down	C00152702A	WC00-1527-02	43/20	8,000/12,000	8
Tier 15 No Bolt Down	C02152702A	WC02-1527-02	47/21	8,000/12,000	15
No Bolts w/4x6 Meter Lid (Over 90)	C08152702C	WC00-1527-2C	41/19	5,000/7,500	5
No Bolts w/4x6 Meter Lid (Under 90)	C08152702D	WC00-1527-2C	41/19	5,000/7,500	5
No Bolts w/6x9 Meter Lid (Over 90)	C08152702E	WC00-1527-2C	41/19	5,000/7,500	5
No Bolts w/6x9 Meter Lid (Under 90)	C08152702F	WC00-1527-2C	41/19	5,000/7,500	5
No Bolts w/Touch Reader Hole	C00152702P	WC00-1527-2TR	43/20	8,000/12,000	8
No Bolts w/6x9 Drop In Reader Lid	C08152702T	WC00-1527-2E	43/20	5,000/7,500	5
No Bolts w/7x13 Drop In Reader Lid	C08152702U	WC00-1527-2E	43/20	5,000/7,500	5
No Bolts w/9x15 Drop In Reader Lid	C08152702V	WC00-1527-2E	43/20	5,000/7,500	5

**BOXES** (Nestable with self-aligning corrosion resistant replaceable nuts)

DESCRIPTION	PART NO.	Old Catalog No.	WEIGHT# LBS./kg.	DESIGN/TEST LOAD#	ANSI TIER
Tier 8 No Bolt down	B00152712A	WB00-1527-12	35/16	8,000/12,000	8
Tier 15 No Bolt down	B02152712A	WB02-1527-12	40/18	15,000/22,500	15
Tier 8 No Bolt down w/ Standard Mouseholes	B00152712M	WB00-1527-12	35/16	8,000/12,000	8
Tier 15 No Bolt down w/ Standard Mouseholes	B02152712M	WB02-1527-12	40/18	15,000/22,500	15

● Loadings comply with ANSI/SCTE 77 (See page 3 & 4)

