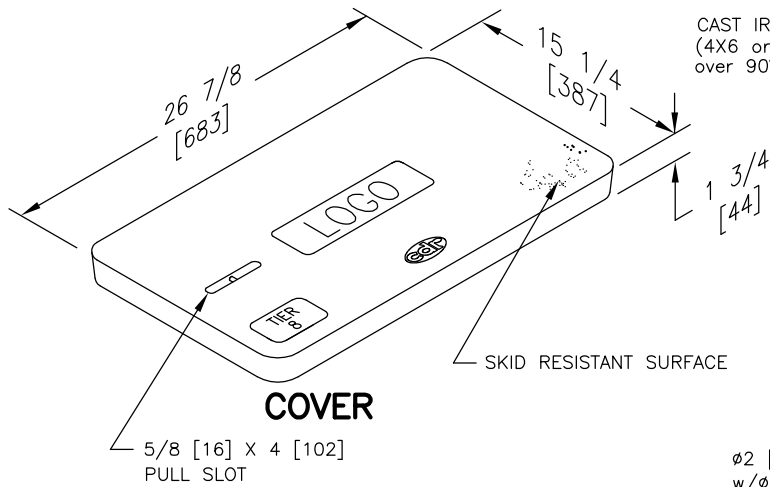
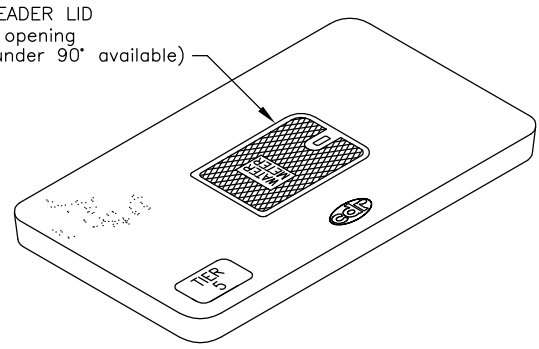


SPECIFICATIONS/DATA

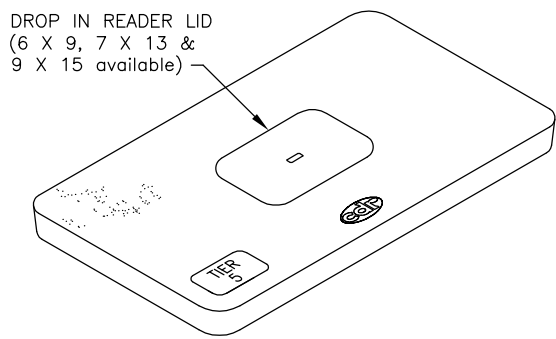
15" X 27" STRAIGHT WALL STYLE (STACKABLE) ASSEMBLY



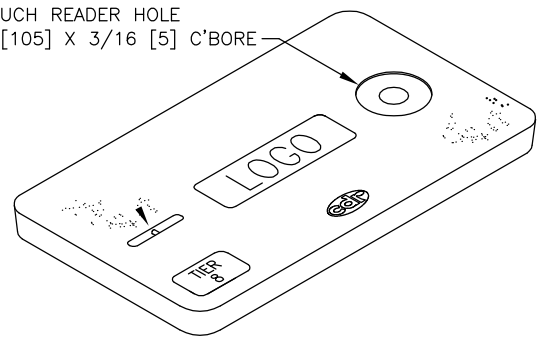
COVER



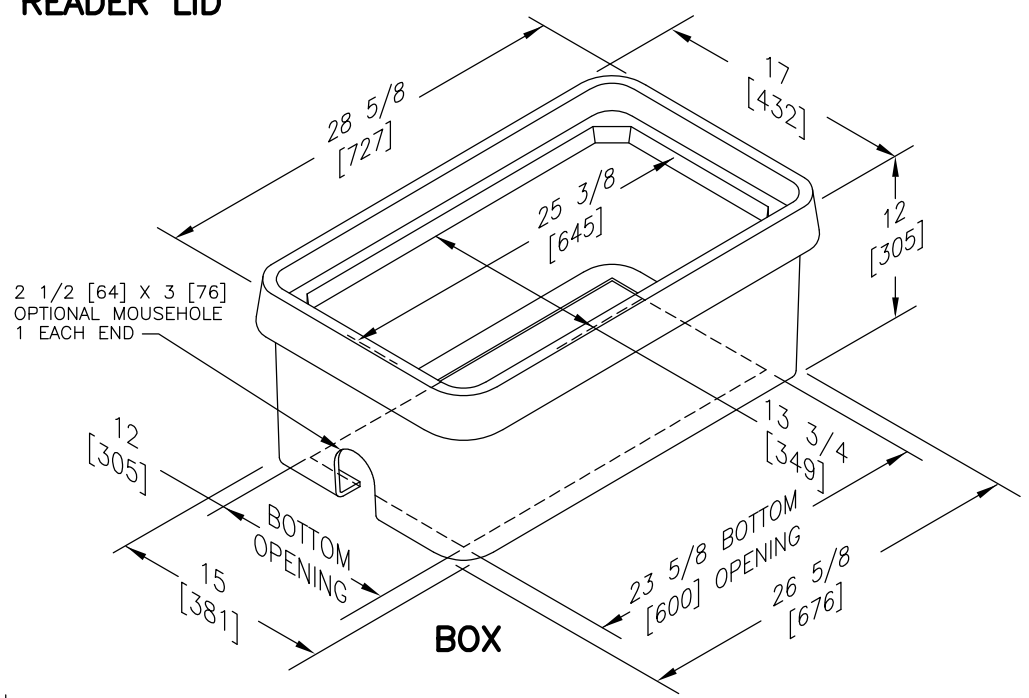
COVER W/READER LID



COVER W/DROP IN READER LID



COVER W/TOUCH READER HOLE



Dimensions in brackets are in millimeters



SPECIFICATIONS/DATA

15" X 27" STRAIGHT WALL STYLE (STACKABLE) ASSEMBLY

COVERS Bolt down covers have S.S. Captive Penta Head Bolts [Blank unless logo is specified]
 (Hex Head Bolts are available – change 2nd digit in cover part no. to "2")

DESCRIPTION	PART NO.	Old Catalog No.	WEIGHT LBS./kg.	DESIGN/TEST LOAD#	ANSI TIER
Tier 8 No Bolt Down	C00152702A	WC00-1527-02	43/20	8,000/12,000	8
Tier 15 No Bolt Down	C02152702A	WC02-1527-02	43/20	8,000/12,000	15
No Bolts w/4x6 Meter Lid (Over 90)	C08152702C	WC00-1527-2C	41/19	5,000/7,500	5
No Bolts w/4x6 Meter Lid (Under 90)	C08152702D	WC00-1527-2C	41/19	5,000/7,500	5
No Bolts w/6x9 Meter Lid (Over 90)	C08152702E	WC00-1527-2C	41/19	5,000/7,500	5
No Bolts w/6x9 Meter Lid (Under 90)	C08152702F	WC00-1527-2C	41/19	5,000/7,500	5
No Bolts w/Touch Reader Hole	C00152702P	WC00-1527-2TR	43/20	8,000/12,000	8
No Bolts w/6x9 Drop In Reader Lid	C08152702T	WC00-1527-2E	43/20	5,000/7,500	5
No Bolts w/7x13 Drop In Reader Lid	C08152702U	WC00-1527-2E	43/20	5,000/7,500	5
No Bolts w/9x15 Drop In Reader Lid	C08152702V	WC00-1527-2E	43/20	5,000/7,500	5

BOXES (Stackable)

DESCRIPTION	PART NO.	Old Catalog No.	WEIGHT LBS./kg.	DESIGN/TEST LOAD#	ANSI TIER
Tier 8	B03152712A	WA03-1527-12	32/15	8,000/12,000	8
Tier 15	B04152712A	WA04-1527-12	36/16	15,000/22,500	15
Tier 8 Solid Bottom	B03152712B	WA03-1527-12B	32/15	8,000/12,000	8
Tier 15 Solid Bottom	B04152712B	WA04-1527-12B	38/17	15,000/22,500	15
Tier 8 w/ Standard Mouseholes	B03152712M	WA03-1527-12	32/15	8,000/12,000	8
Tier 15 w/ Standard Mouseholes	B04152712M	WA04-1527-12	36/16	15,000/22,500	15

● Loadings comply with ANSI/SCTE 77 (See page 3 & 4)

