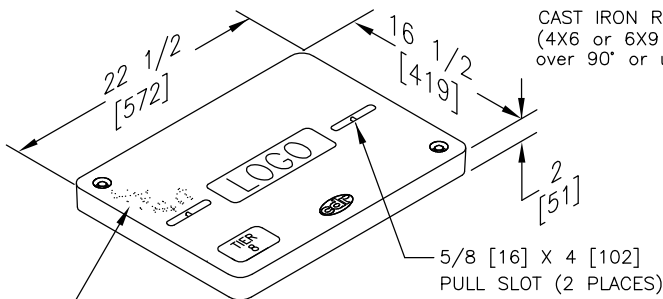


# SPECIFICATIONS/DATA

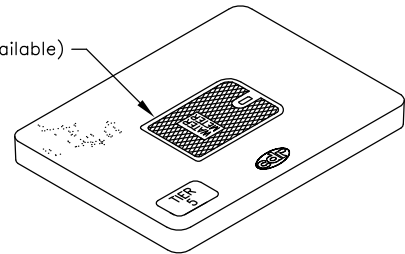
## 16" X 22" FLARED WALL STYLE (NESTABLE) ASSEMBLY



**COVER**

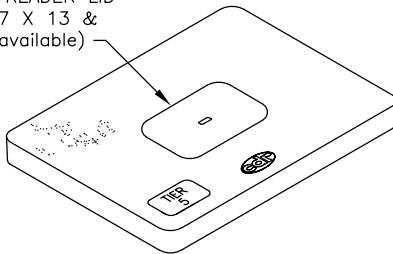
SKID RESISTANT SURFACE

CAST IRON READER LID  
(4X6 or 6X9 opening  
over 90° or under 90° available)



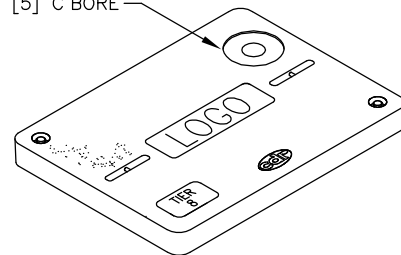
**COVER W/READER LID**

DROP IN READER LID  
(6 X 9, 7 X 13 &  
9 X 15 available)



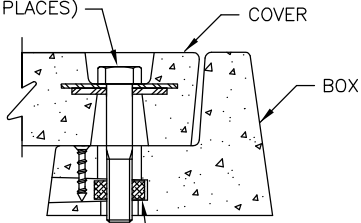
**COVER W/DROP IN READER LID**

Ø2 [51] TOUCH READER HOLE  
w/Ø4 1/8 [105] X 3/16 [5] C'BORE



**COVER W/TOUCH READER HOLE**

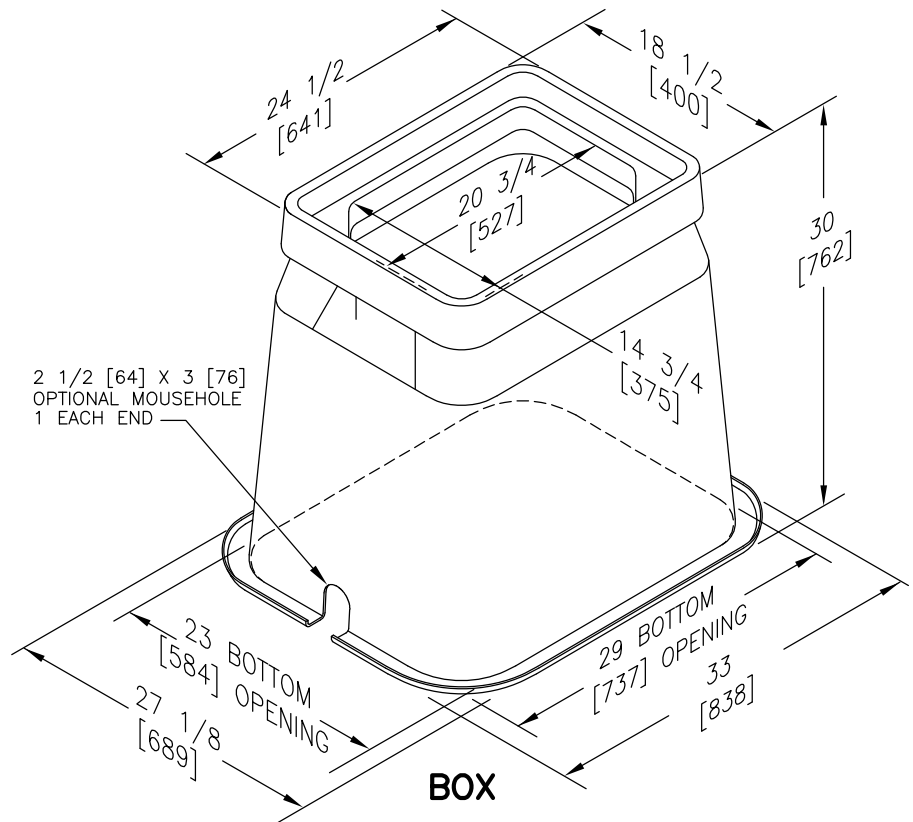
1/2-13 UNC SS  
CAPTIVE PENTA HEAD  
BOLT (2 PLACES)



SELF-CENTERING  
CORROSION  
RESISTANT NUT

**CAPTIVE BOLT DETAIL**

HEX HEAD BOLTS ARE  
AVAILABLE ON REQUEST



Dimensions in brackets are in millimeters



# SPECIFICATIONS/DATA

## 16" X 22" FLARED WALL STYLE (NESTABLE) ASSEMBLY

**COVERS** Bolt down covers have S.S. Captive Penta Head Bolts [Blank unless logo is specified]  
(Hex Head Bolts are available - change 2nd digit in cover part no. to "2")

DESCRIPTION	PART NO.	Old Catalog No.	WEIGHT LBS./kg.	DESIGN/TEST LOAD#	ANSI TIER
Tier 8 w/2 Bolts	C10162202A	C10-1622-02	29/13	8,000/12,000	8
Tier 8 No Bolt Down	C00162202A	C00-1622-02	29/13	8,000/12,000	8
Tier 15 w/2 Bolts	C12162202A	C12-1622-02	34/15	15,000/22,500	15
Tier 15 No Bolt Down	C02162202A	C02-1622-02	34/15	15,000/22,500	15
No Bolts w/4x6 Meter Lid (Over 90)	C08162202C	C00-1622-2C	27/12	5,000/7,500	5
Bolts w/4x6 Meter Lid (Over 90)	C18162202C	C10-1622-2C	27/12	5,000/7,500	5
No Bolts w/4x6 Meter Lid (Under 90)	C08162202D	C00-1622-2C	27/12	5,000/7,500	5
Bolts w/4x6 Meter Lid (Under 90)	C18162202D	C10-1622-2C	27/12	5,000/7,500	5
No Bolts w/6x9 Meter Lid (Over 90)	C08162202E	C00-1622-2C	27/12	5,000/7,500	5
Bolts w/6x9 Meter Lid (Over 90)	C18162202E	C10-1622-2C	27/12	5,000/7,500	5
No Bolts w/6x9 Meter Lid (Under 90)	C08162202F	C00-1622-2C	27/12	5,000/7,500	5
Bolts w/6x9 Meter Lid (Under 90)	C18162202F	C10-1622-2C	27/12	5,000/7,500	5
No Bolts w/Touch Reader Hole	C00162202P	C00-1622-2TR	29/13	8,000/12,000	8
Bolts w/Touch Reader Hole	C10162202P	C10-1622-2TR	29/13	8,000/12,000	8
No Bolts w/6x9 Drop In Reader Lid	C08162202T	C00-1622-2E	34/15	5,000/7,500	5
Bolts w/6x9 Drop In Reader Lid	C18162202T	C10-1622-2E	34/15	5,000/7,500	5
No Bolts w/7x13 Drop In Reader Lid	C08162202U	C00-1622-2E	34/15	5,000/7,500	5
Bolts w/7x13 Drop In Reader Lid	C18162202U	C10-1622-2E	34/15	5,000/7,500	5
No Bolts w/9x15 Drop In Reader Lid	C08162202V	C00-1622-2E	34/15	5,000/7,500	5
Bolts w/9x15 Drop In Reader Lid	C18162202V	C10-1622-2E	34/15	5,000/7,500	5

Covers must be used with equivalent tier boxes or higher (example a Tier 15 cover may not be used with Tier 8 box).

<b>BOXES</b> (Nestable with self-aligning corrosion resistant replaceable nuts)					
DESCRIPTION	PART NO.	Old Catalog No.	WEIGHT# LBS./kg.	DESIGN/TEST LOAD#	ANSI TIER
Tier 8 Bolt down	B10162230A	B10-1622-30	66/30	8,000/12,000	8
Tier 15 Bolt down	B12162230A	B12-1622-30	76/34	15,000/22,500	15
Tier 8 w/ Gasket*	B10162230G	B10-1622-30G	66/30	8,000/12,000	8
Tier 15 Bolt down w/ Gasket*	B12162230G	B12-1622-30G	66/30	8,000/12,000	15
Tier 8 w/ Standard Mouseholes	B10162230M	B10-1622-30	66/30	8,000/12,000	8
Tier 15 w/ Standard Mouseholes	B12162230M	B12-1622-30	76/34	15,000/22,500	15

\*Gaskets reduce the inflow of fluids but do not make the enclosure water tight.

- Loadings comply with ANSI/SCTE 77 (See page 3 & 4)

