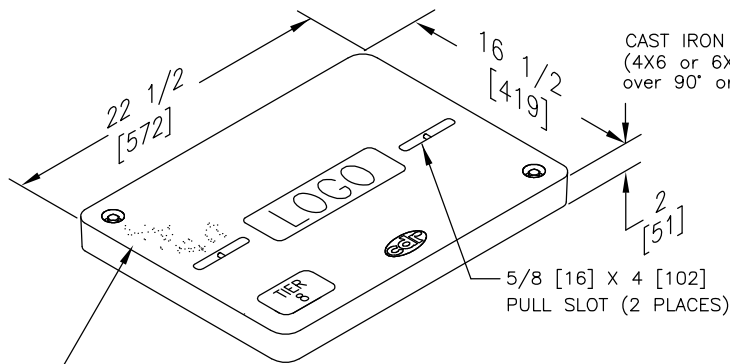


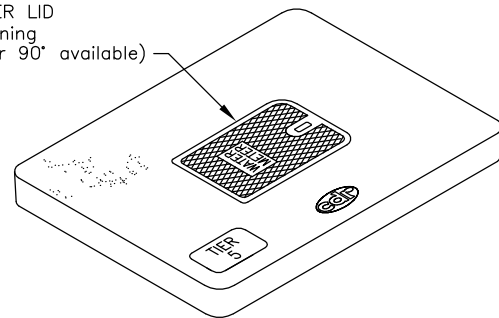
SPECIFICATIONS/DATA

16" X 22" STRAIGHT WALL STYLE (STACKABLE) ASSEMBLY

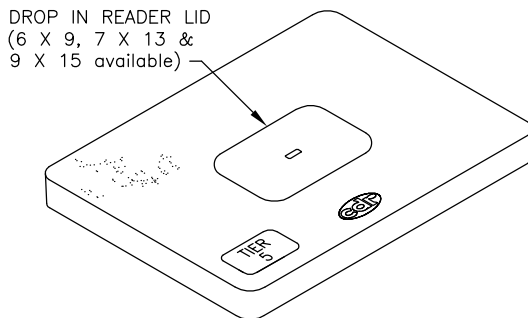


COVER

SKID RESISTANT SURFACE

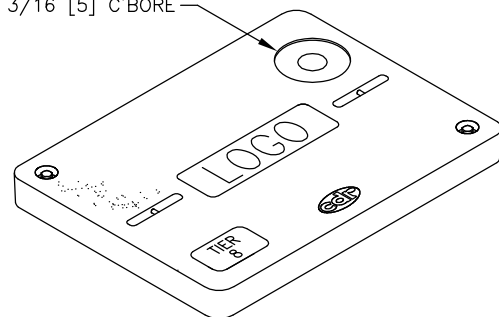


COVER W/READER LID

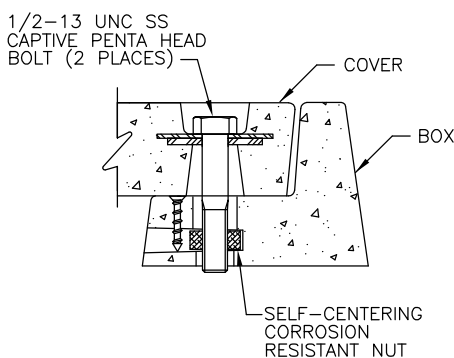


COVER W/DROP IN READER LID

Ø [51] TOUCH READER HOLE
w/Ø4 1/8 [105] X 3/16 [5] C'BORE

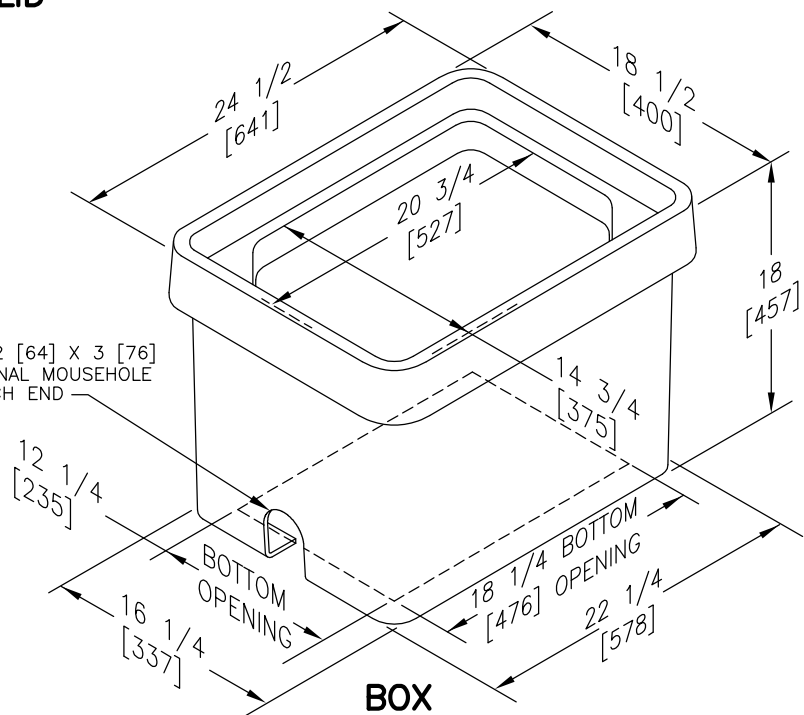


COVER W/TOUCH READER HOLE



CAPTIVE BOLT DETAIL

HEX HEAD BOLTS ARE AVAILABLE ON REQUEST



Dimensions in brackets are in millimeters



SPECIFICATIONS/DATA

16" X 22" STRAIGHT WALL STYLE (STACKABLE) ASSEMBLY

COVERS Bolt down covers have S.S. Captive Penta Head Bolts [Blank unless logo is specified]
(Hex Head Bolts are available – change 2nd digit in cover part no. to "2")

| DESCRIPTION | PART NO. | Old Catalog No. | WEIGHT LBS./kg. | DESIGN/TEST LOAD# | ANSI TIER |
|-------------------------------------|------------|-----------------|--------------------|----------------------|--------------|
| Tier 8 w/2 Bolts | C10162202A | C10-1622-02 | 29/13 | 8,000/12,000 | 8 |
| Tier 8 No Bolt Down | C00162202A | C00-1622-02 | 29/13 | 8,000/12,000 | 8 |
| Tier 15 w/2 Bolts | C12162202A | C12-1622-02 | 34/15 | 15,000/22,500 | 15 |
| Tier 15 No Bolt Down | C02162202A | C02-1622-02 | 34/15 | 15,000/22,500 | 15 |
| No Bolts w/4x6 Meter Lid (Over 90) | C08162202C | C00-1622-2C | 27/12 | 5,000/7,500 | 5 |
| Bolts w/4x6 Meter Lid (Over 90) | C18162202C | C10-1622-2C | 27/12 | 5,000/7,500 | 5 |
| No Bolts w/4x6 Meter Lid (Under 90) | C08162202D | C00-1622-2C | 27/12 | 5,000/7,500 | 5 |
| Bolts w/4x6 Meter Lid (Under 90) | C18162202D | C10-1622-2C | 27/12 | 5,000/7,500 | 5 |
| No Bolts w/6x9 Meter Lid (Over 90) | C08162202E | C00-1622-2C | 27/12 | 5,000/7,500 | 5 |
| Bolts w/6x9 Meter Lid (Over 90) | C18162202E | C10-1622-2C | 27/12 | 5,000/7,500 | 5 |
| No Bolts w/6x9 Meter Lid (Under 90) | C08162202F | C00-1622-2C | 27/12 | 5,000/7,500 | 5 |
| Bolts w/6x9 Meter Lid (Under 90) | C18162202F | C10-1622-2C | 27/12 | 5,000/7,500 | 5 |
| No Bolts w/Touch Reader Hole | C00162202P | C00-1622-2TR | 29/13 | 8,000/12,000 | 8 |
| Bolts w/Touch Reader Hole | C10162202P | C10-1622-2TR | 29/13 | 8,000/12,000 | 8 |
| No Bolts w/6x9 Drop In Reader Lid | C08162202T | C00-1622-2E | 34/15 | 5,000/7,500 | 5 |
| Bolts w/6x9 Drop In Reader Lid | C18162202T | C10-1622-2E | 34/15 | 5,000/7,500 | 5 |
| No Bolts w/7x13 Drop In Reader Lid | C08162202U | C00-1622-2E | 34/15 | 5,000/7,500 | 5 |
| Bolts w/7x13 Drop In Reader Lid | C18162202U | C10-1622-2E | 34/15 | 5,000/7,500 | 5 |
| No Bolts w/9x15 Drop In Reader Lid | C08162202V | C00-1622-2E | 34/15 | 5,000/7,500 | 5 |
| Bolts w/9x15 Drop In Reader Lid | C18162202V | C10-1622-2E | 34/15 | 5,000/7,500 | 5 |

Covers must be used with equivalent tier boxes or higher (example a Tier 15 cover may not be used with Tier 8 box).

BOXES (Stackable with self-aligning corrosion resistant replaceable nuts)

| DESCRIPTION | PART NO. | Old Catalog No. | WEIGHT LBS./kg. | DESIGN/TEST LOAD# | ANSI TIER |
|---|------------|-----------------|--------------------|----------------------|--------------|
| Tier 8 Open Bottom | B13162218A | B13-1622-18 | 42/19 | 8,000/12,000 | 8 |
| Tier 15 Open Bottom | B14162218A | B14-1622-18 | 52/24 | 15,000/22,500 | 15 |
| Tier 8 Solid Bottom | B13162218B | B13-1622-18B | 46/21 | 8,000/12,000 | 8 |
| Tier 15 Solid Bottom | B14162218B | B14-1622-18B | 56/25 | 15,000/22,500 | 15 |
| Tier 8 Open Bottom w/ Gasket* | B13162218G | B13-1622-18G | 42/19 | 8,000/12,000 | 8 |
| Tier 15 Open Bottom w/ Gasket* | B14162218G | B14-1622-18G | 52/24 | 15,000/22,500 | 15 |
| Tier 8 Solid Bottom w/ Gasket* | B131622500 | B13-1622-18BG | 46/21 | 8,000/12,000 | 8 |
| Tier 15 Solid Bottom w/ Gasket* | B141622500 | B14-1622-18BG | 56/25 | 15,000/22,500 | 15 |
| Tier 8 Open Bottom w/ Standard Mouseholes | B13162218M | B13-1622-18 | 42/19 | 8,000/12,000 | 8 |
| Tier 15 Open Bottom w/ Standard Mouseholes | B14162218M | B14-1622-18 | 52/24 | 15,000/22,500 | 15 |

*Gaskets reduce the inflow of fluids but do not make the enclosure water tight.

● Loadings comply with ANSI/SCTE 77 (See page 3 & 4)

