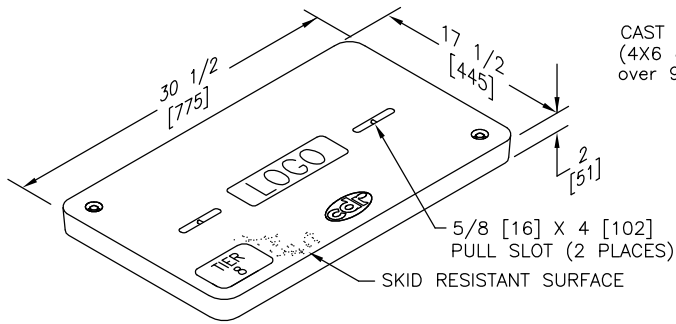


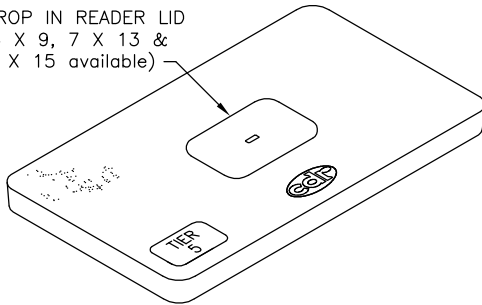
# SPECIFICATIONS/DATA

## 17" X 30" FLARED WALL STYLE (NESTABLE) ASSEMBLY



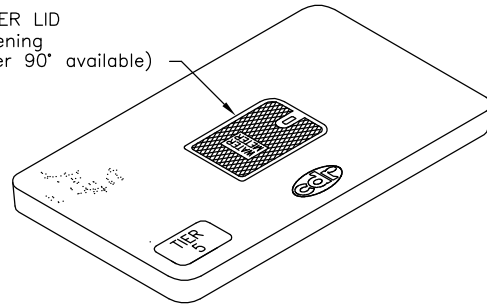
**COVER**

DROP IN READER LID  
(6 X 9, 7 X 13 &  
9 X 15 available)



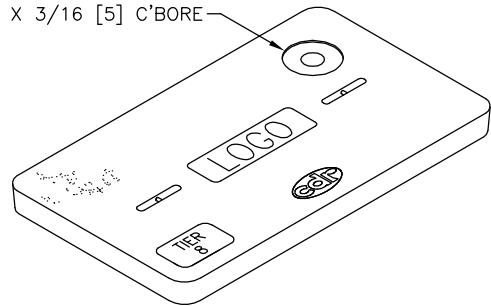
**COVER W/DROP IN READER LID**

CAST IRON READER LID  
(4X6 or 6X9 opening  
over 90° or under 90° available)

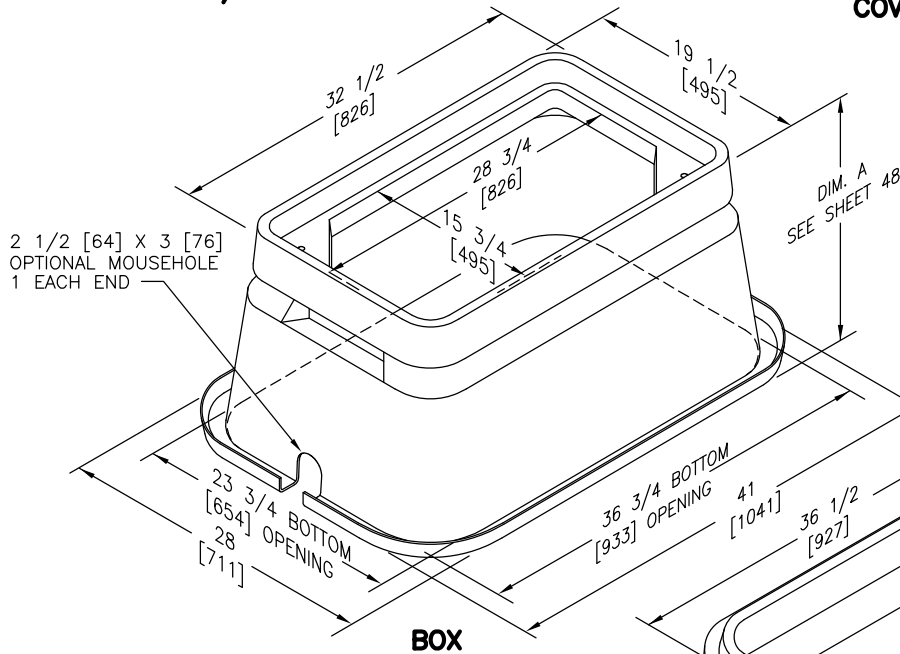


**COVER W/READER LID**

Ø2 [51] TOUCH READER HOLE  
w/Ø4 1/8 [105] X 3/16 [5] C'BORE



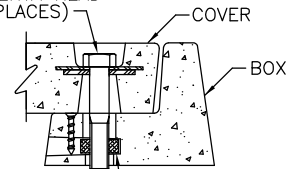
**COVER W/TOUCH READER HOLE**



**BOX**

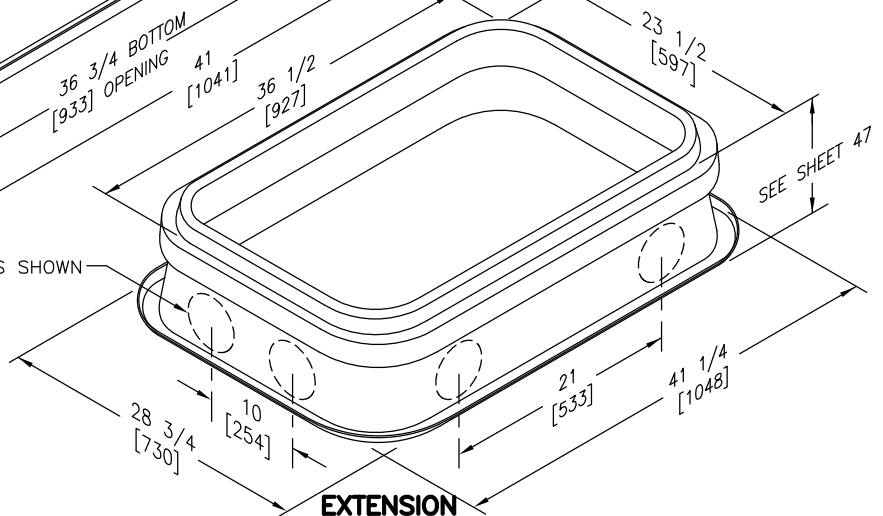
OPTIONAL KNOCKOUTS SHOWN

1/2-13 UNC SS  
CAPTIVE PENTA HEAD  
BOLT (2 PLACES)



**CAPTIVE BOLT DETAIL**

HEX HEAD BOLTS ARE  
AVAILABLE ON REQUEST



**EXTENSION**

Dimensions in brackets are in millimeters



# SPECIFICATIONS/DATA

## 17" X 30" FLARED WALL STYLE (NESTABLE) ASSEMBLY

<b>COVERS</b> Bolt down covers have S.S. Captive Penta Head Bolts [Blank unless logo is specified] (Hex Head Bolts are available – change 2nd digit in cover part no. to "2")					
DESCRIPTION	PART NO.	Old Catalog No.	WEIGHT# LBS./kg.	DESIGN/TEST LOAD#	ANSI TIER
Tier 8 w/2 Bolts	C10173002A	C10-1730-02	47/21	8,000/12,000	8
Tier 8 No Bolt Down	C00173002A	C00-1730-02	47/21	8,000/12,000	8
Tier 15 w/2 Bolts	C12173002A	C12-1730-02	51/23	15,000/22,500	15
Tier 15 No Bolt Down	C02173002A	C02-1730-02	51/23	15,000/22,500	15
Tier 22 w/2 Bolts	C16173002A	C12-1730-02	51/23	22,500/33,750	22
Tier 22 No Bolt Down	C06173002A	C02-1730-02	51/23	22,500/33,750	22
No Bolts w/4x6 Meter Lid (Over 90)	C08173002C	C00-1730-2C	51/23	5,000/7,500	5
Bolts w/4x6 Meter Lid (Over 90)	C18173002C	C10-1730-2C	51/23	5,000/7,500	5
No Bolts w/4x6 Meter Lid (Under 90)	C08173002D	C00-1730-2C	51/23	5,000/7,500	5
Bolts w/4x6 Meter Lid (Under 90)	C18173002D	C10-1730-2C	51/23	5,000/7,500	5
No Bolts w/6x9 Meter Lid (Over 90)	C08173002E	C00-1730-2C	51/23	5,000/7,500	5
Bolts w/6x9 Meter Lid (Over 90)	C18173002E	C10-1730-2C	51/23	5,000/7,500	5
No Bolts w/6x9 Meter Lid (Under 90)	C08173002F	C00-1730-2C	51/23	5,000/7,500	5
Bolts w/6x9 Meter Lid (Under 90)	C18173002F	C10-1730-2C	51/23	5,000/7,500	5
No Bolts w/Touch Reader Hole	C00173002P	C00-1730-2TR	47/21	8,000/12,000	8
Bolts w/Touch Reader Hole	C10173002P	C10-1730-2TR	47/21	8,000/12,000	
No Bolts w/6x9 Drop In Reader Lid	C00173002T	C00-1730-2E	51/23	5,000/7,500	5
Bolts w/6x9 Drop In Reader Lid	C10173002T	C10-1730-2E	51/23	5,000/7,500	5
No Bolts w/7x13 Drop In Reader Lid	C00173002U	C00-1730-2E	51/23	5,000/7,500	5
Bolts w/7x13 Drop In Reader Lid	C10173002U	C10-1730-2E	51/23	5,000/7,500	5
No Bolts w/9x15 Drop In Reader Lid	C00173002V	C00-1730-2E	51/23	5,000/7,500	5
Bolts w/9x15 Drop In Reader Lid	C10173002V	C10-1730-2E	51/23	5,000/7,500	5

Covers must be used with equivalent tier boxes or higher (example a Tier 15 cover may not be used with Tier 8 box).

<b>EXTENSION</b> (Optional Knockouts or Terminators are available)				
DESCRIPTION	PART NO.	Old Catalog No.	WEIGHT# LBS./kg.	DESIGN/TEST LOAD#
Tier 8 8" Deep	E00173008A	E00-1730-08	39/18	8,000/12,000
Tier 8 16" Deep	E00173016A	E00-1730-16	42/19	8,000/12,000
Tier 15 8" Deep	E02173008A	E02-1730-08	45/20	15,000/22,500
Tier 15 16" Deep	E02173016A	E02-1730-16	48/22	15,000/22,500

34" [864] deep flared wall boxes will not work with extensions



# SPECIFICATIONS/DATA

## 17" X 30" FLARED WALL STYLE (NESTABLE) ASSEMBLY

BOXES (Nestable with self-aligning corrosion resistant replaceable nuts)					
DESCRIPTION	PART NO.	Old Catalog No.	DIM. A IN./mm.	WEIGHT# LBS./kg.	DESIGN/TEST LOAD#
Tier 8	B10173012A	B10-1730-12	12/305	46/21	8,000/12,000
	B10173018A	B10-1730-18	18/457	58/26	8,000/12,000
	B10173022A	B10-1730-22	22/559	68/31	8,000/12,000
	B10173024A	B10-1730-24	24/610	78/35	8,000/12,000
	B10173030A	B10-1730-30	30/762	88/40	8,000/12,000
Tier 15	B10173034A	B10-1730-34	34/864	96/44	8,000/12,000
	B12173012A	B12-1730-12	12/305	50/23	15,000/22,500
	B12173018A	B12-1730-18	18/457	64/29	15,000/22,500
	B12173022A	B12-1730-22	22/559	74/34	15,000/22,500
	B12173012A	B12-1730-24	24/610	84/38	15,000/22,500
Tier 22	B12173018A	B12-1730-30	30/762	94/43	15,000/22,500
	B12173022A	B12-1730-34	34/864	102/46	15,000/22,500
	B19173012A	special number	12/305	50/23	22,500/33,750
	B19173018A	special number	18/457	64/29	22,500/33,750
	B19173022A	special number	22/559	74/34	22,500/33,750
Tier 8 W/ Gasket*	B19173012A	special number	24/610	84/38	22,500/33,750
	B19173018A	special number	30/762	94/43	22,500/33,750
	B19173022A	special number	34/864	102/46	22,500/33,750
	B10173012G	B10-1730-12G	12/305	46/21	8,000/12,000
	B10173018G	B10-1730-18G	18/457	58/26	8,000/12,000
Tier 15 W/ Gasket*	B10173022G	B10-1730-22G	22/559	68/31	8,000/12,000
	B10173024G	B10-1730-24G	24/610	78/35	8,000/12,000
	B10173030G	B10-1730-30G	30/762	88/40	8,000/12,000
	B10173034G	B10-1730-34G	34/864	96/44	8,000/12,000
	B12173012G	B12-1730-12G	12/305	50/23	15,000/22,500
Tier 22 W/ Gasket*	B12173018G	B12-1730-18G	18/457	64/29	15,000/22,500
	B12173022G	B12-1730-22G	22/559	74/34	15,000/22,500
	B12173024G	B12-1730-24G	24/610	84/38	15,000/22,500
	B12173030G	B12-1730-30G	30/762	94/43	15,000/22,500
	B12173034G	B12-1730-34G	34/864	102/46	15,000/22,500
Tier 8 w/ Standard Mouseholes	B19173012G	special number	12/305	50/23	22,500/33,750
	B19173018G	special number	18/457	64/29	22,500/33,750
	B19173022G	special number	22/559	74/34	22,500/33,750
	B19173024G	special number	24/610	84/38	22,500/33,750
	B19173030G	special number	30/762	94/43	22,500/33,750
Tier 15 w/ Standard Mouseholes	B19173034G	special number	34/864	102/46	22,500/33,750
	B10173012M	B10-1730-12	12/305	46/21	8,000/12,000
	B10173018M	B10-1730-18	18/457	58/26	8,000/12,000
	B10173022M	B10-1730-22	22/559	68/31	8,000/12,000
	B10173024M	B10-1730-24	24/610	78/35	8,000/12,000
Tier 22 w/ Standard Mouseholes	B10173030M	B10-1730-30	30/762	88/40	8,000/12,000
	B10173034M	B10-1730-34	34/864	96/44	8,000/12,000
	B12173012M	B12-1730-12	12/305	50/23	15,000/22,500
	B12173018M	B12-1730-18	18/457	64/29	15,000/22,500
	B12173022M	B12-1730-22	22/559	74/34	15,000/22,500
Tier 8 w/ Standard Mouseholes	B12173024M	B12-1730-24	24/610	84/38	15,000/22,500
	B12173030M	B12-1730-30	30/762	94/43	15,000/22,500
	B12173034M	B12-1730-34	34/864	102/46	15,000/22,500
	B19173012M	special number	12/305	50/23	22,500/33,750
	B19173018M	special number	18/457	64/29	22,500/33,750
Tier 15 w/ Standard Mouseholes	B19173022M	special number	22/559	74/34	22,500/33,750
	B19173024M	special number	24/610	84/38	22,500/33,750
	B19173030M	special number	30/762	94/43	22,500/33,750
	B19173034M	special number	34/864	102/46	22,500/33,750
	B19173012M	special number	12/305	50/23	22,500/33,750

\*Gaskets reduce the inflow of fluids but do not make the enclosure water tight.

● Loadings comply with ANSI/SCTE 77 (See page 3 & 4)

