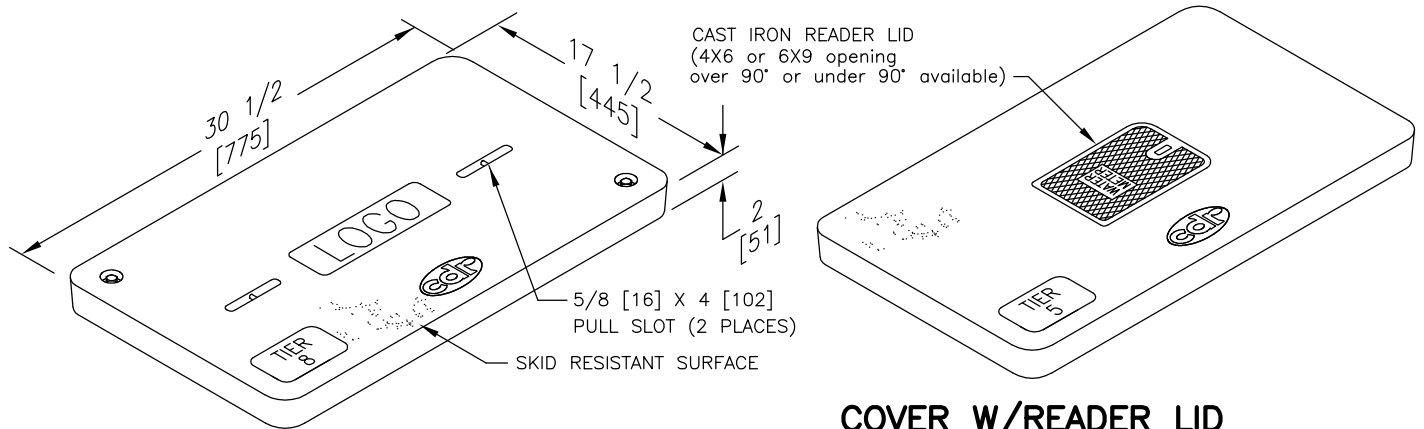


SPECIFICATIONS/DATA

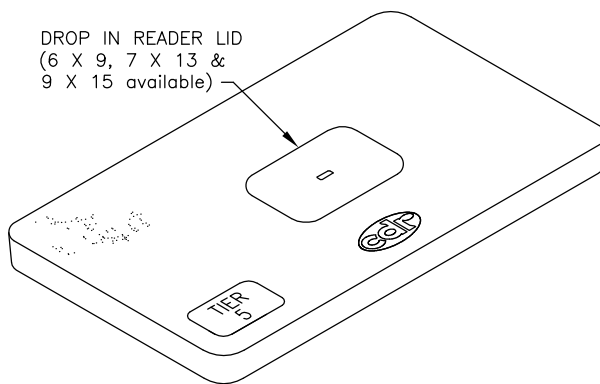
17" X 30" STRAIGHT WALL STYLE (STACKABLE) ASSEMBLY



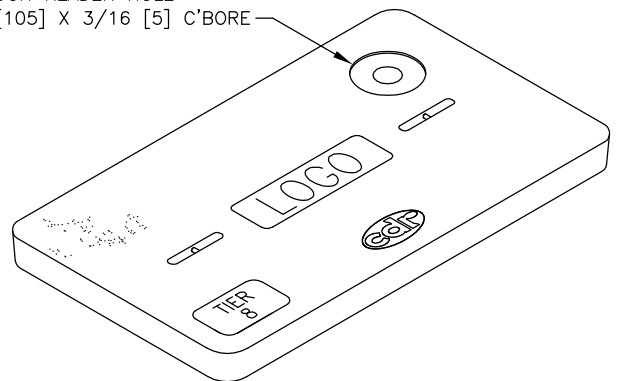
COVER

COVER W/READER LID

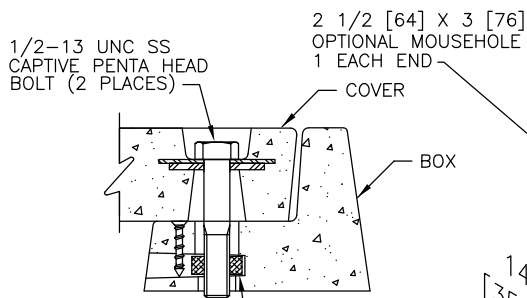
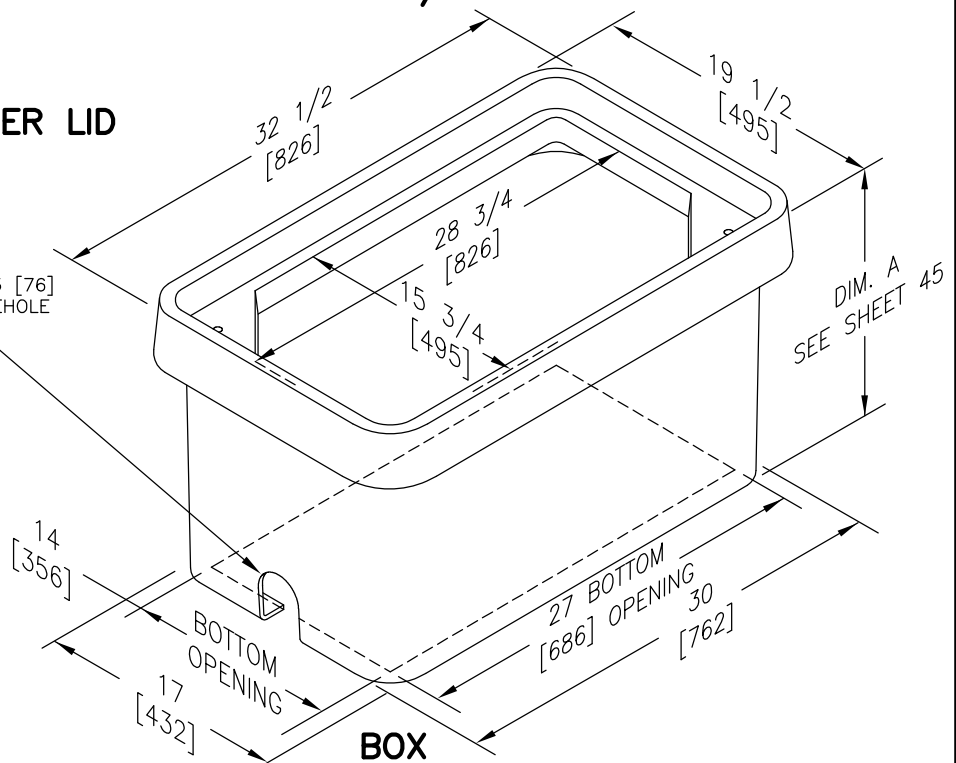
Ø2 [51] TOUCH READER HOLE
w/Ø4 1/8 [105] X 3/16 [5] C'BORE



COVER W/DROP IN READER LID



COVER W/TOUCH READER HOLE



CAPTIVE BOLT DETAIL

HEX HEAD BOLTS ARE AVAILABLE ON REQUEST

Dimensions in brackets are in millimeters



SPECIFICATIONS/DATA

17" X 30" STRAIGHT WALL STYLE (STACKABLE) ASSEMBLY

COVERS Bolt down covers have S.S. Captive Penta Head Bolts [Blank unless logo is specified]
(Hex Head Bolts are available – change 2nd digit in cover part no. to "2")

DESCRIPTION	PART NO.	Old Catalog No.	WEIGHT# LBS./kg.	DESIGN/TEST LOAD#	ANSI TIER
Tier 8 w/2 Bolts	C10173002A	C10-1730-02	47/21	8,000/12,000	8
Tier 8 No Bolt Down	C00173002A	C00-1730-02	47/21	8,000/12,000	8
Tier 15 w/2 Bolts	C12173002A	C12-1730-02	51/23	15,000/22,500	15
Tier 15 No Bolt Down	C02173002A	C02-1730-02	51/23	15,000/22,500	15
Tier 22 w/2 Bolts	C16173002A	special number	51/23	22,500/33,750	22
Tier 22 No Bolt Down	C06173002A	special number	51/23	22,500/33,750	22
No Bolts w/4x6 Meter Lid (Over 90)	C08173002C	C00-1730-2C	51/23	5,000/7,500	5
Bolts w/4x6 Meter Lid (Over 90)	C18173002C	C10-1730-2C	51/23	5,000/7,500	5
No Bolts w/4x6 Meter Lid (Under 90)	C08173002D	C00-1730-2C	51/23	5,000/7,500	5
Bolts w/4x6 Meter Lid (Under 90)	C18173002D	C10-1730-2C	51/23	5,000/7,500	5
No Bolts w/6x9 Meter Lid (Over 90)	C08173002E	C00-1730-2C	51/23	5,000/7,500	5
Bolts w/6x9 Meter Lid (Over 90)	C18173002E	C10-1730-2C	51/23	5,000/7,500	5
No Bolts w/6x9 Meter Lid (Under 90)	C08173002F	C00-1730-2C	51/23	5,000/7,500	5
Bolts w/6x9 Meter Lid (Under 90)	C18173002F	C10-1730-2C	51/23	5,000/7,500	5
No Bolts w/Touch Reader Hole	C00173002P	C00-1730-2TR	47/21	8,000/12,000	8
Bolts w/Touch Reader Hole	C10173002P	C10-1730-2TR	47/21	8,000/12,000	8
No Bolts w/6x9 Drop In Reader Lid	C08173002T	C00-1730-2E	51/23	5,000/7,500	5
Bolts w/6x9 Drop In Reader Lid	C18173002T	C10-1730-2E	51/23	5,000/7,500	5
No Bolts w/7x13 Drop In Reader Lid	C08173002U	C00-1730-2E	51/23	5,000/7,500	5
Bolts w/7x13 Drop In Reader Lid	C18173002U	C10-1730-2E	51/23	5,000/7,500	5
No Bolts w/9x15 Drop In Reader Lid	C08173002V	C00-1730-2E	51/23	5,000/7,500	5
Bolts w/9x15 Drop In Reader Lid	C18173002V	C10-1730-2E	51/23	5,000/7,500	5

Covers must be used with equivalent tier boxes or higher (example a Tier 15 cover may not be used with Tier 8 box).
• Loadings comply with ANSI/SCTE 77 (See page 3 & 4)

BOXES (Stackable with self-aligning corrosion resistant replaceable nuts)

DESCRIPTION	PART NO.	Old Catalog No.	DIM. A IN./mm.	WEIGHT# LBS./kg.	DESIGN/TEST LOAD#	ANSI TIER
Tier 8	B13173012A	B13-1730-12	12/305	46/21	8,000/12,000	8
	B13173018A	B13-1730-18	18/457	58/26	8,000/12,000	8
	B13173022A	B13-1730-22	22/559	68/31	8,000/12,000	8
Tier 15	B14173012A	B14-1730-12	12/305	50/23	15,000/22,500	15
	B14173018A	B14-1730-18	18/457	62/28	15,000/22,500	15
	B14173022A	B14-1730-22	22/559	74/34	15,000/22,500	15
Tier 22	B16173012A	special number	12/305	50/23	22,500/33,750	22
	B16173018A	special number	18/457	62/28	22,500/33,750	22
	B16173022A	special number	22/559	74/34	22,500/33,750	22
Tier 8 Solid Bottom	B13173012B	B13-1730-12B	12/305	51/23	8,000/12,000	8
	B13173018B	B13-1730-18B	18/457	63/29	8,000/12,000	8
	B13173022B	B13-1730-22B	22/559	73/33	8,000/12,000	8
Tier 15 Solid Bottom	B14173012B	B14-1730-12B	12/305	55/25	15,000/22,500	15
	B14173018B	B14-1730-18B	18/457	67/30	15,000/22,500	15
	B14173022B	B14-1730-22B	22/559	79/36	15,000/22,500	15
Tier 22 Solid Bottom	B16173012B	special number	12/305	55/25	22,500/33,750	22
	B16173018B	special number	18/457	67/30	22,500/33,750	22
	B16173022B	special number	22/559	79/36	22,500/33,750	22
Tier 8 w/ Gasket*	B13173012G	B13-1730-12G	12/305	46/21	8,000/12,000	8
	B13173018G	B13-1730-18G	18/457	58/26	8,000/12,000	8
	B13173022G	B13-1730-22G	22/559	68/31	8,000/12,000	8
Tier 15 w/ Gasket*	B14173012G	B14-1730-12G	12/305	50/23	15,000/22,500	15
	B14173018G	B14-1730-18G	18/457	62/28	15,000/22,500	15
	B14173022G	B14-1730-22G	22/559	74/34	15,000/22,500	15
Tier 22 w/ Gasket*	B16173012G	special number	12/305	50/23	22,500/33,750	22
	B16173018G	special number	18/457	62/28	22,500/33,750	22
	B16173022G	special number	22/559	74/34	22,500/33,750	22
Tier 8 Solid Bottom w/ Gasket*	B131730500	B13-1730-12BG	12/305	51/23	8,000/12,000	8
	B131730501	B13-1730-18BG	18/457	63/29	8,000/12,000	8
	B131730502	B13-1730-22BG	22/559	73/33	8,000/12,000	8
Tier 15 Solid Bottom w/ Gasket*	B141730500	B14-1730-12BG	12/305	55/25	15,000/22,500	15
	B141730501	B14-1730-18BG	18/457	67/30	15,000/22,500	15
	B141730502	B14-1730-22BG	22/559	79/36	15,000/22,500	15
Tier 22 Solid Bottom w/ Gasket*	B161730500	special number	12/305	55/25	22,500/33,750	22
	B161730501	special number	18/457	67/30	22,500/33,750	22
	B161730502	special number	22/559	79/36	22,500/33,750	22
Tier 8 w/ Standard Mouseholes	B13173012M	B13-1730-12	12/305	46/21	8,000/12,000	8
	B13173018M	B13-1730-18	18/457	58/26	8,000/12,000	8
	B13173022M	B13-1730-22	22/559	68/31	8,000/12,000	8
Tier 15 w/ Standard Mouseholes	B14173012M	B14-1730-12	12/305	50/23	15,000/22,500	15
	B14173018M	B14-1730-18	18/457	62/28	15,000/22,500	15
	B14173022M	B14-1730-22	22/559	74/34	15,000/22,500	15
Tier 22 w/ Standard Mouseholes	B16173012M	special number	12/305	50/23	22,500/33,750	22
	B16173018M	special number	18/457	62/28	22,500/33,750	22
	B16173022M	special number	22/559	74/34	22,500/33,750	22

*Gaskets reduce the inflow of fluids but do not make the enclosure water tight.

