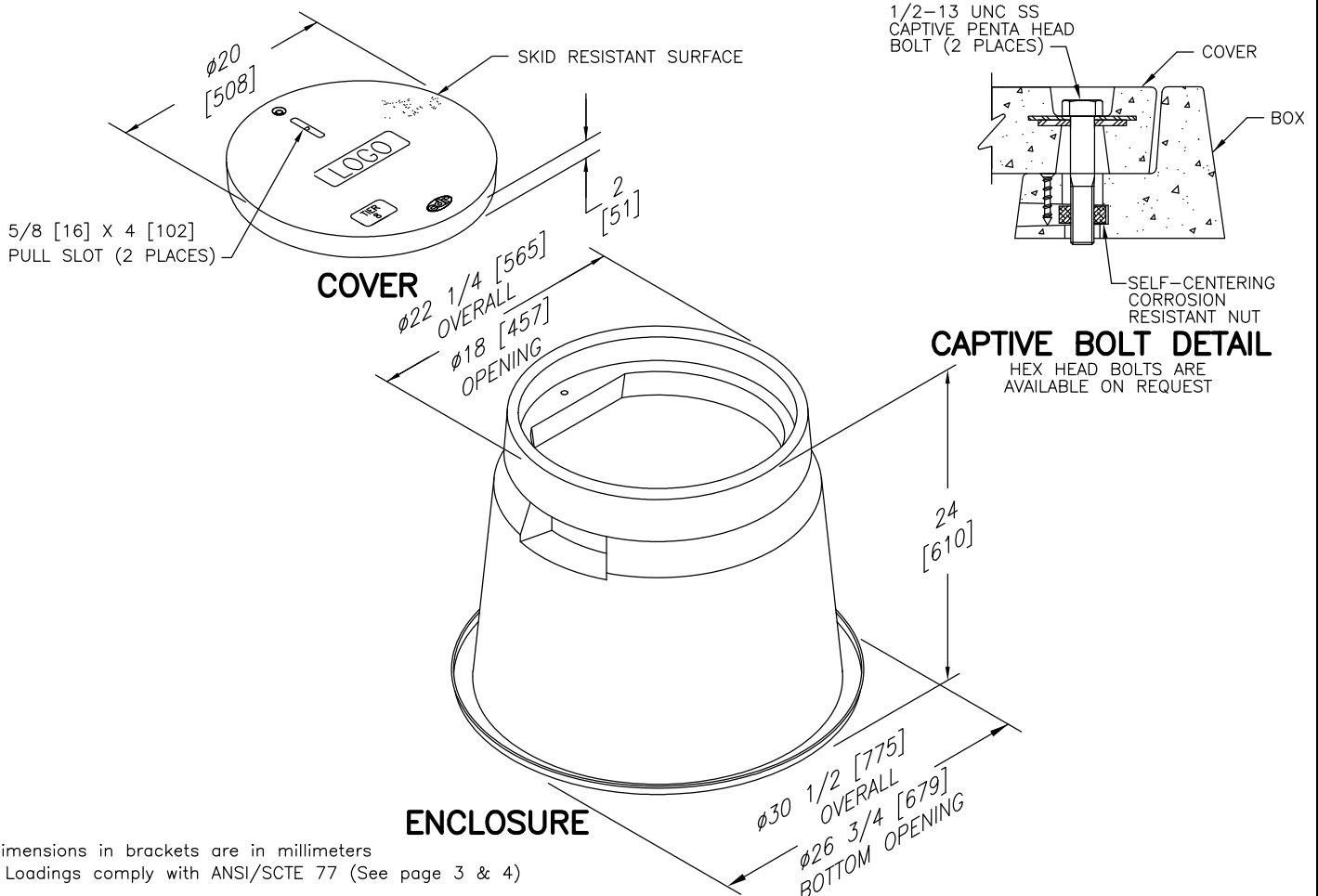


SPECIFICATIONS/DATA

2000 ROUND ENCLOSURE (NESTABLE) ASSEMBLY



Dimensions in brackets are in millimeters

- Loadings comply with ANSI/SCTE 77 (See page 3 & 4)

COVERS Bolt down covers have S.S. Captive Penta Head Bolts [Blank unless logo is specified] (Hex Head Bolts are available – change 2nd digit in cover part no. to "2")						
DESCRIPTION	PART NO.	Old Catalog No.	WEIGHT# LBS./kg.	DESIGN/TEST LOAD#	ANSI TIER	
Tier 8 w/2 Bolts	C10200002A	C10-2000-02	23/10	8,000/12,000	8	
Tier 8 No Bolt Down	C00200002A	C00-2000-02	23/10	8,000/12,000	8	
Tier 15 w/2 Bolts	C12200002A	C12-2000-02	34/15	15,000/22,500	15	
Tier 15 No Bolt Down	C02200002A	C02-2000-02	34/15	15,000/22,500	15	
Tier 22 w/2 Bolts	C16200002A	C16-2000-02	34/15	22,500/33,750	22	
Tier 22 No Bolt Down	C06200002A	C06-2000-02	34/15	22,500/33,750	22	

Covers must be used with equivalent tier boxes or higher (example a Tier 15 cover may not be used with Tier 8 box).

ENCLOSURE (Nestable with self-aligning corrosion resistant replaceable nuts)						
DESCRIPTION	PART NO.	Old Catalog No.	DIM. A IN./mm.	WEIGHT# LBS./kg.	DESIGN/TEST LOAD#	ANSI TIER
Tier 8	B10200024A	B10-2000-24	24/610	48/22	8,000/12,000	8
	B10200048A	B10-2000-48	48/1219	96/44	8,000/12,000	8
Tier 15	B12200024A	B12-2000-24	24/610	59/27	15,000/22,500	15
	B12200048A	B12-2000-48	48/1219	118/54	15,000/22,500	15
Tier 22	B19200024A	Special number	24/610	59/27	22,500/33,750	22
	B19200048A	Special number	48/1219	118/54	22,500/33,750	22
Tier 8 w/ Gasket**	B10200024G	B10-2000-24G	24/610	48/22	8,000/12,000	8
	B10200048G	B10-2000-48G	48/1219	96/44	8,000/12,000	8
Tier 15 w/ Gasket**	B12200024G	B12-2000-24G	24/610	59/27	15,000/22,500	15
	B12200048G	B12-2000-48G	48/1219	118/54	15,000/22,500	15
Tier 22 w/ Gasket**	B19200024G	Special number	24/610	59/27	22,500/33,750	22
	B19200048G	Special number	48/1219	118/54	22,500/33,750	22

*48" Depth created by bolting 2-24" deep boxes bottom to bottom.

**Gaskets reduce the inflow of fluids but do not make the enclosure water tight.