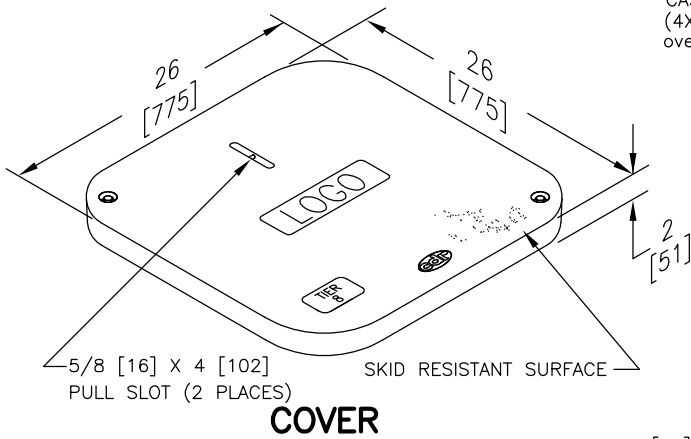
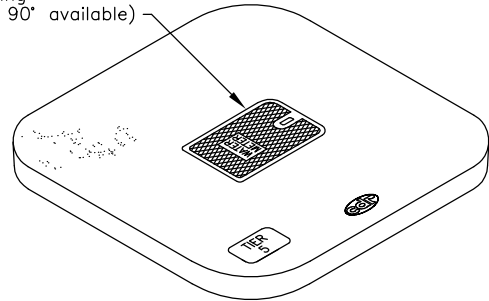


# SPECIFICATIONS/DATA

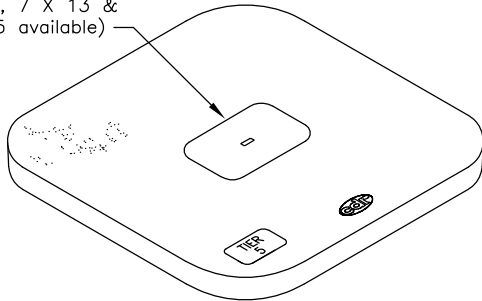
## 24" X 24" STRAIGHT WALL STYLE (STACKABLE) ASSEMBLY



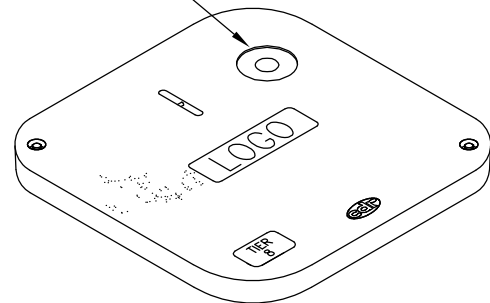
CAST IRON READER LID  
(4X6 or 6X9 opening,  
over 90° or under 90° available)



DROP IN READER LID  
(6 X 9, 7 X 13 &  
9 X 15 available)

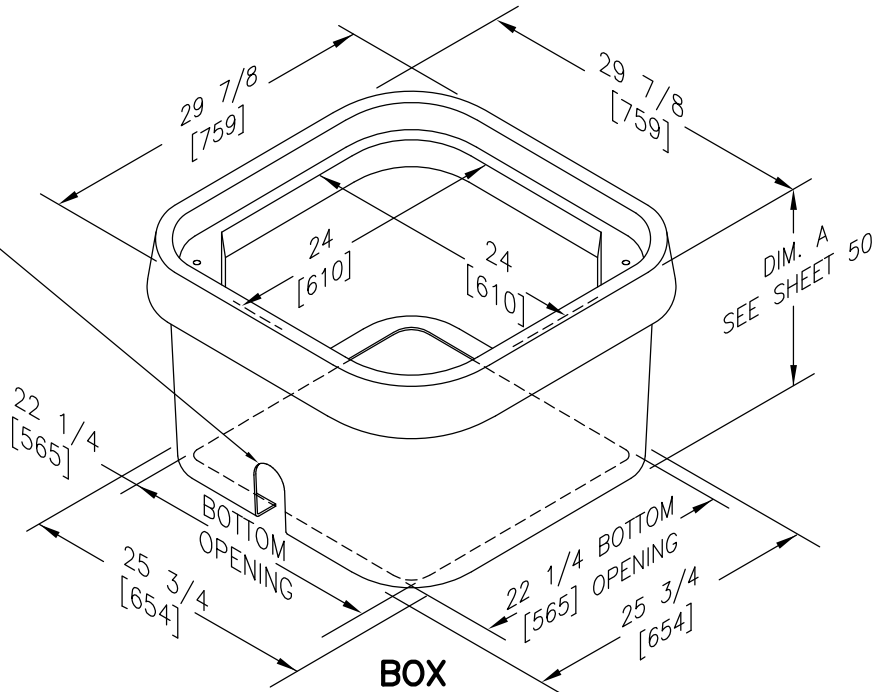
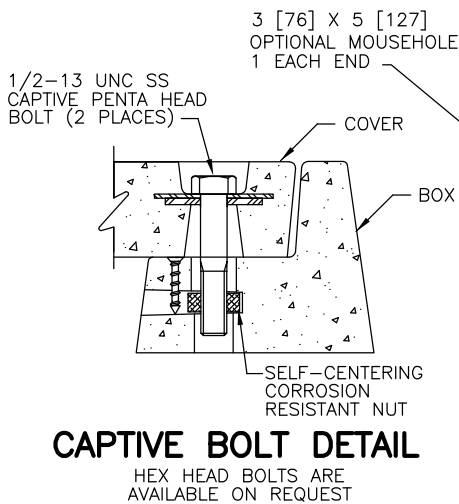


Ø2 [51] TOUCH READER HOLE  
w/Ø4 1/8 [105] X 3/16 [5] C'BORE



**COVER W/DROP IN READER LID**

**COVER W/TOUCH READER HOLE**



Dimensions in brackets are in millimeters

# SPECIFICATIONS/DATA

## 24" X 24" STRAIGHT WALL STYLE (STACKABLE) ASSEMBLY

<b>COVERS</b> Bolt down covers have S.S. Captive Penta Head Bolts [Blank unless logo is specified] (Hex Head Bolts are available - change 2nd digit in cover part no. to "2")						
DESCRIPTION	PART NO.	Old Catalog No.	WEIGHT# LBS./kg.	DESIGN/TEST LOAD#	ANSI TIER	
Tier 8 w/2 Bolts	C10242402A	C10-2424-02	70/32	8,000/12,000	8	
Tier 8 No Bolt Down	C00242402A	C00-2424-02	70/32	8,000/12,000	8	
Tier 15 w/2 Bolts	C12242402A	C12-2424-02	100/45	15,000/22,500	15	
Tier 15 No Bolt Down	C02242402A	C02-2424-02	100/45	15,000/22,500	15	
Tier 22 w/2 Bolts	C16242402A	special number	100/45	22,500/33,750	22	
Tier 22 No Bolt Down	C06242402A	special number	100/45	22,500/33,750	22	
No Bolts w/4x6 Meter Lid (Over 90)	C08242402C	C00-2424-2C	73/33	5,000/7,500	5	
Bolts w/4x6 Meter Lid (Over 90)	C18242402C	C10-2424-2C	73/33	5,000/7,500	5	
No Bolts w/4x6 Meter Lid (Under 90)	C08242402D	C00-2424-2C	73/33	5,000/7,500	5	
Bolts w/4x6 Meter Lid (Under 90)	C18242402D	C10-2424-2C	73/33	5,000/7,500	5	
No Bolts w/6x9 Meter Lid (Over 90)	C08242402E	C00-2424-2C	73/33	5,000/7,500	5	
Bolts w/6x9 Meter Lid (Over 90)	C18242402E	C10-2424-2C	73/33	5,000/7,500	5	
No Bolts w/6x9 Meter Lid (Under 90)	C08242402F	C00-2424-2C	73/33	5,000/7,500	5	
Bolts w/6x9 Meter Lid (Under 90)	C18242402F	C10-2424-2C	73/33	5,000/7,500	5	
No Bolts w/Touch Reader Hole	C00242402P	C00-2424-2TR	70/32	8,000/12,000	8	
Bolts w/Touch Reader Hole	C10242402P	C10-2424-2TR	70/32	8,000/12,000	8	
No Bolts w/6x9 Drop In Reader Lid	C08242402T	C00-2424-2E	100/45	5,000/7,500	5	
Bolts w/6x9 Drop In Reader Lid	C18242402T	C10-2424-2E	100/45	5,000/7,500	5	
No Bolts w/7x13 Drop In Reader Lid	C08242402U	C00-2424-2E	100/45	5,000/7,500	5	
Bolts w/7x13 Drop In Reader Lid	C18242402U	C10-2424-2E	100/45	5,000/7,500	5	
No Bolts w/9x15 Drop In Reader Lid	C08242402V	C00-2424-2E	100/45	5,000/7,500	5	
Bolts w/9x15 Drop In Reader Lid	C18242402V	C10-2424-2E	100/45	5,000/7,500	5	

Covers must be used with equivalent tier boxes or higher (example a Tier 15 cover may not be used with Tier 8 box).

<b>BOXES</b> (Stackable with self-aligning corrosion resistant replaceable nuts)						
DESCRIPTION	PART NO.	Old Catalog No.	DIM. A IN./mm.	WEIGHT# LBS./kg.	DESIGN/TEST LOAD#	ANSI TIER
Tier 8	B13242412A	B13-2424-12	12/305	74/34	8,000/12,000	8
	B13242418A	B13-2424-18	18/457	78/35	8,000/12,000	8
	B13242424A	B13-2424-24	22/559	83/38	8,000/12,000	8
Tier 15	B14242412A	B14-2424-12	12/305	77/35	15,000/22,500	15
	B14242418A	B14-2424-18	18/457	84/38	15,000/22,500	15
	B14242424A	B14-2424-24	22/559	92/42	15,000/22,500	15
Tier 22	B16242412A	special number	12/305	77/35	22,500/33,750	22
	B16242418A	special number	18/457	84/38	22,500/33,750	22
	B16242424A	special number	22/559	92/42	22,500/33,750	22
Tier 8 Solid Bottom	B13242412B	B13-2424-12B	12/305	81/37	8,000/12,000	8
	B13242418B	B13-2424-18B	18/457	85/39	8,000/12,000	8
	B13242424B	B13-2424-24B	22/559	90/41	8,000/12,000	8
Tier 15 Solid Bottom	B14242412B	B14-2424-12B	12/305	84/35	15,000/22,500	15
	B14242418B	B14-2424-18B	18/457	91/38	15,000/22,500	15
	B14242424B	B14-2424-24B	22/559	99/42	15,000/22,500	15
Tier 22 Solid Bottom	B16242412B	special number	12/305	84/35	22,500/33,750	22
	B16242418B	special number	18/457	91/38	22,500/33,750	22
	B16242424B	special number	22/559	99/42	22,500/33,750	22
Tier 8 w/ Gasket*	B13242412G	B13-2424-12G	12/305	74/34	8,000/12,000	8
	B13242418G	B13-2424-18G	18/457	78/35	8,000/12,000	8
	B13242424G	B13-2424-24G	22/559	83/38	8,000/12,000	8
Tier 15 w/ Gasket*	B14242412G	B14-2424-12G	12/305	77/35	15,000/22,500	15
	B14242418G	B14-2424-18G	18/457	84/38	15,000/22,500	15
	B14242424G	B14-2424-24G	22/559	92/42	15,000/22,500	15
Tier 22 w/ Gasket*	B16242412G	special number	12/305	77/35	22,500/33,750	22
	B16242418G	special number	18/457	84/38	22,500/33,750	22
	B16242424G	special number	22/559	92/42	22,500/33,750	22
Tier 8 Solid Bottom w/ Gasket*	B132424500	B13-2424-12BG	12/305	81/37	8,000/12,000	8
	B132424502	B13-2424-18BG	18/457	85/39	8,000/12,000	8
	B132424502	B13-2424-24BG	22/559	90/41	8,000/12,000	8
Tier 15 Solid Bottom w/ Gasket*	B142424500	B14-2424-12BG	12/305	84/35	15,000/22,500	15
	B142424501	B14-2424-18BG	18/457	91/38	15,000/22,500	15
	B142424502	B14-2424-24BG	22/559	99/42	15,000/22,500	15
Tier 22 Solid Bottom w/ Gasket*	B162424500	special number	12/305	84/35	22,500/33,750	22
	B162424501	special number	18/457	91/38	22,500/33,750	22
	B162424502	special number	22/559	99/42	22,500/33,750	22
Tier 8 w/ Standard Mouseholes	B13242412M	B13-2424-12	12/305	74/34	8,000/12,000	8
	B13242418M	B13-2424-18	18/457	78/35	8,000/12,000	8
	B13242424M	B13-2424-24	22/559	83/38	8,000/12,000	8
Tier 15 w/ Standard Mouseholes	B14242412M	B14-2424-12	12/305	77/35	15,000/22,500	15
	B14242418M	B14-2424-18	18/457	84/38	15,000/22,500	15
	B14242424M	B14-2424-24	22/559	92/42	15,000/22,500	15
Tier 22 w/ Standard Mouseholes	B16242412M	special number	12/305	77/35	22,500/33,750	22
	B16242418M	special number	18/457	84/38	22,500/33,750	22
	B16242424M	special number	22/559	92/42	22,500/33,750	22

\*Gaskets reduce the inflow of fluids but do not make the enclosure water tight.

• Loadings comply with ANSI/SCTE 77 (See page 3 & 4)

