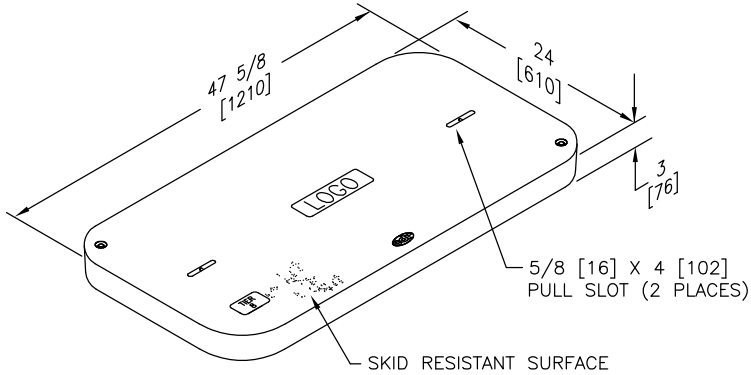


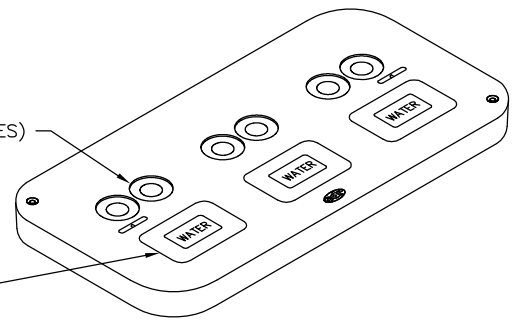
SPECIFICATIONS/DATA

24" X 48" FLARED WALL STYLE (NESTABLE) ASSEMBLY



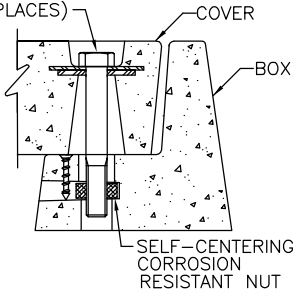
COVER

Ø2 [51] TOUCH READER HOLE
w/Ø4 1/8 [105] X 3/16 [5] C'BORE (6 PLACES)



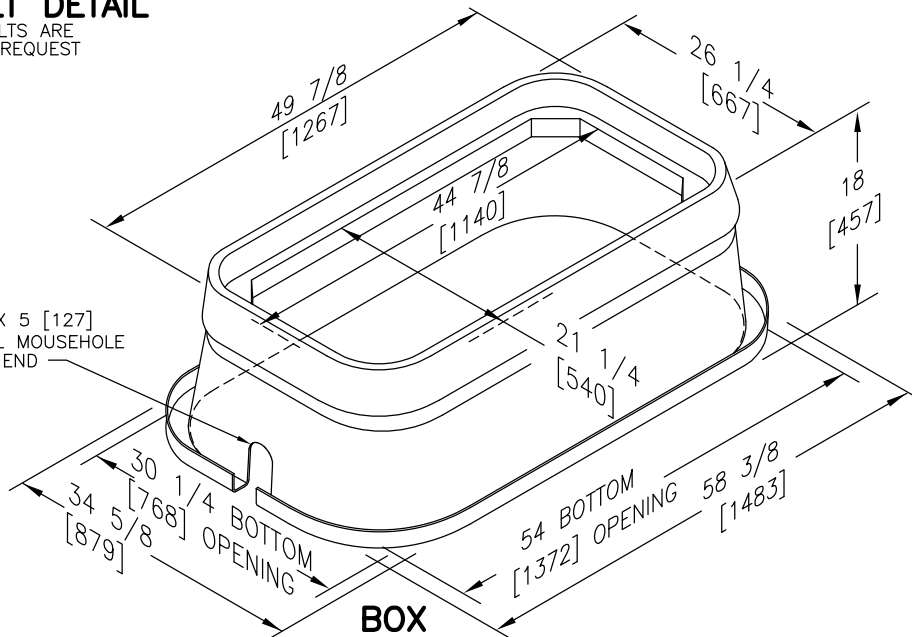
**COVER W/TOUCH READER HOLES
AND DROP IN READER LIDS**

1/2-13 UNC SS
CAPTIVE PENTA HEAD
BOLT (2 PLACES)



CAPTIVE BOLT DETAIL

HEX HEAD BOLTS ARE
AVAILABLE ON REQUEST



Dimensions in brackets are in millimeters

SPECIFICATIONS/DATA

24" X 48" FLARED WALL STYLE (NESTABLE) ASSEMBLY

COVERS (Bolt down covers have S.S. Captive Bolts) [Blank unless logo is specified]					
DESCRIPTION	PART NO.	Old Catalog No.	WEIGHT# LBS./kg.	DESIGN/TEST LOAD#	ANSI TIER
Tier 8 w/2 Bolts	C10244803A	C10-2448-03	115/52	8,000/12,000	8
Tier 8 No Bolt Down	C00244803A	C00-2448-03	115/52	8,000/12,000	8
Tier 15 w/2 Bolts	C12244803A	C12-2448-03	125/57	15,000/22,500	15
Tier 15 No Bolt Down	C02244803A	C02-2448-03	125/57	15,000/22,500	15
Tier 22 w/2 Bolts	C16244803A	special number	125/57	22,500/33,750	22
Tier 22 No Bolt Down	C06244803A	special number	125/57	22,500/33,750	22
No Bolts w/4x6 Meter Lid (Over 90)	C08244803C	C00-2448-3C	115/52	5,000/7,500	5
Bolts w/4x6 Meter Lid (Over 90)	C18244803C	C10-2448-3C	115/52	5,000/7,500	5
No Bolts w/4x6 Meter Lid (Under 90)	C08244803D	C00-2448-3C	115/52	5,000/7,500	5
Bolts w/4x6 Meter Lid (Under 90)	C18244803D	C10-2448-3C	115/52	5,000/7,500	5
No Bolts w/6x9 Meter Lid (Over 90)	C08244803E	C00-2448-3C	115/52	5,000/7,500	5
Bolts w/6x9 Meter Lid (Over 90)	C18244803E	C10-2448-3C	115/52	5,000/7,500	5
No Bolts w/6x9 Meter Lid (Under 90)	C08244803F	C00-2448-3C	115/52	5,000/7,500	5
Bolts w/6x9 Meter Lid (Under 90)	C18244803F	C10-2448-3C	115/52	5,000/7,500	5
No Bolts w/Touch Reader Hole	C00244803P	C00-2448-3TR	111/50	8,000/12,000	8
Bolts w/Touch Reader Hole	C10244803P	C10-2448-3TR	111/50	8,000/12,000	8
No Bolts w/6x9 Drop In Reader Lid	C08244803T	C00-2448-3E	119/54	5,000/7,500	5
Bolts w/6x9 Drop In Reader Lid	C18244803T	C10-2448-3E	119/54	5,000/7,500	5
No Bolts w/7x13 Drop In Reader Lid	C08244803U	C00-2448-3E	119/54	5,000/7,500	5
Bolts w/7x13 Drop In Reader Lid	C18244803U	C10-2448-3E	119/54	5,000/7,500	5
No Bolts w/9x15 Drop In Reader Lid	C08244803V	C00-2448-3E	119/54	5,000/7,500	5
Bolts w/9x15 Drop In Reader Lid	C18244803V	C10-2448-3E	119/54	5,000/7,500	5
Bolts w/(3)6x9 Drop In Reader Lids & (6) Touch Reader Holes	C102448500	WC10-2448-03TRE1	168/76	5,000/7,500	5

Covers must be used with equivalent tier boxes or higher (example a Tier 15 cover may not be used with Tier 8 box).

BOXES				
DESCRIPTION	PART NO.	Old Catalog No.	WEIGHT# LBS./kg.	DESIGN/TEST LOAD#
Tier 8 W/2 Bolts	B10244818A	B10-2448-18	145/66	8,000/12,000
Tier 8 w/ Gasket*	B10244818G	B10-2448-18G	145/66	8,000/12,000
Tier 8 w/ Standard Mouseholes	B10244818M	B10-2448-18	145/66	8,000/12,000
Tier 15 W/2 Bolts	B12244818A	B12-2448-18	150/68	15,000/22,500
Tier 15 w/ Gasket*	B12244818G	B12-2448-18G	150/68	15,000/22,500
Tier 15 w/ Standard Mouseholes	B12244818M	B12-2448-18	150/68	15,000/22,500
Tier 22 W/2 Bolts	B19244818A	B19-2448-18	150/68	22,500/33,750
Tier 22 w/ Gasket*	B19244818G	B19-2448-18G	150/68	22,500/33,750
Tier 22 w/ Standard Mouseholes	B19244818M	B19-2448-18	150/68	22,500/33,750

*Gaskets reduce the inflow of fluids but do not make the enclosure water tight.

● Loadings comply with ANSI/SCTE 77 (See page 3 & 4)

