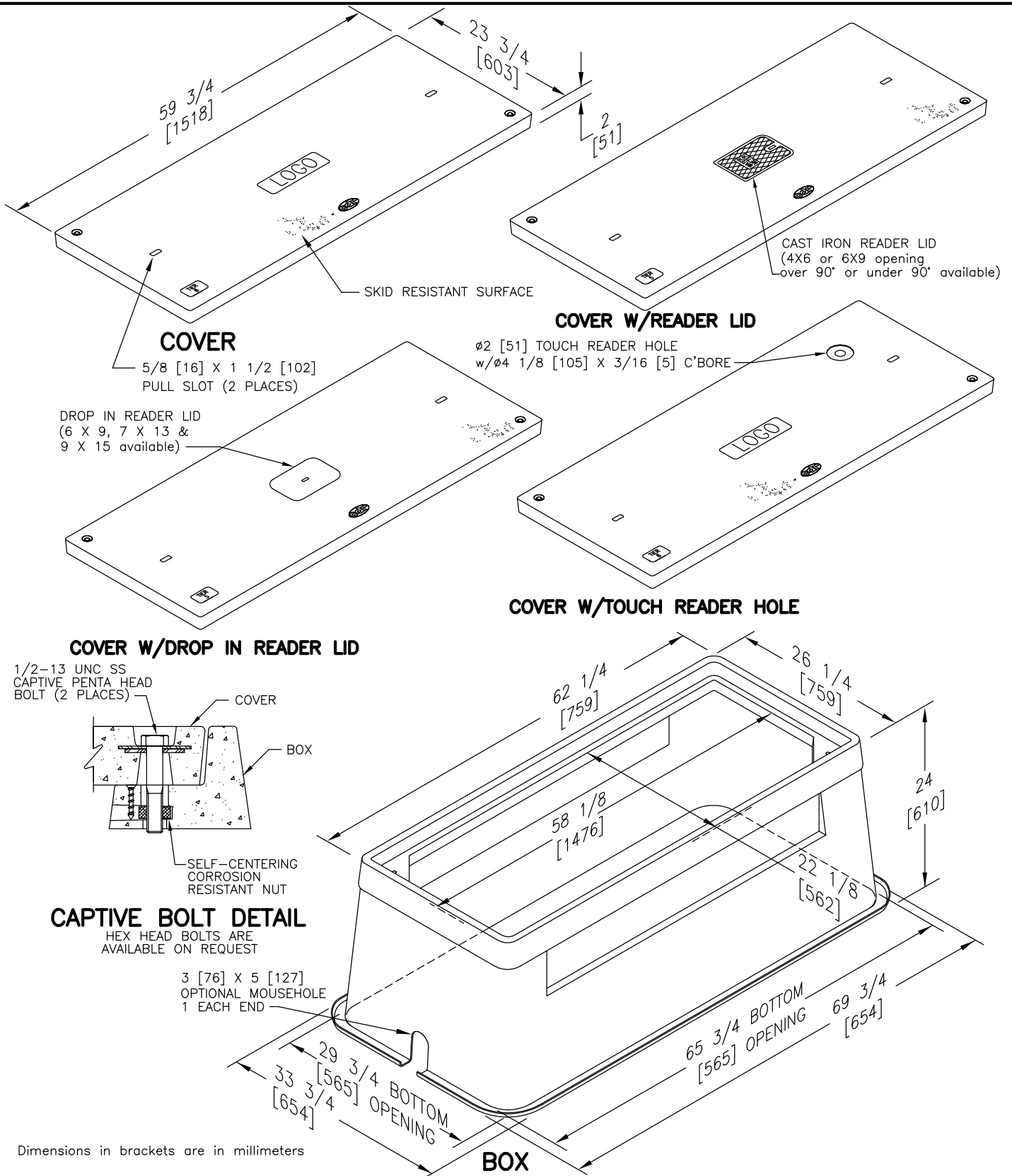


SPECIFICATIONS/DATA

24" X 60" FLARED WALL STYLE (NESTABLE) ASSEMBLY



SPECIFICATIONS/DATA

24" X 60" FLARED WALL STYLE (NESTABLE) ASSEMBLY

COVERS Bolt down covers have S.S. Captive Penta Head Bolts [Blank unless logo is specified]
(Hex Head Bolts are available - change 2nd digit in cover part no. to "2")

DESCRIPTION	PART NO.	Old Catalog No.	WEIGHT# LBS./kg.	DESIGN/TEST LOAD#	ANSI TIER
Tier 8 w/2 Bolts	C10246003A	C10-2460-03	65/29	8,000/12,000	8
Tier 8 No Bolt Down	C00246003A	C00-2460-03	65/29	8,000/12,000	8
No Bolts w/4x6 Meter Lid (Over 90)	C08246003C	C00-2460-3C	69/31	5,000/7,500	5
Bolts w/4x6 Meter Lid (Over 90)	C18246003C	C10-2460-3C	69/31	5,000/7,500	5
No Bolts w/4x6 Meter Lid (Under 90)	C08246003D	C00-2460-3C	69/31	5,000/7,500	5
Bolts w/4x6 Meter Lid (Under 90)	C18246003D	C10-2460-3C	69/31	5,000/7,500	5
No Bolts w/6x9 Meter Lid (Over 90)	C08246003E	C00-2460-3C	69/31	5,000/7,500	5
Bolts w/6x9 Meter Lid (Over 90)	C18246003E	C10-2460-3C	69/31	5,000/7,500	5
No Bolts w/6x9 Meter Lid (Under 90)	C08246003F	C00-2460-3C	69/31	5,000/7,500	5
Bolts w/6x9 Meter Lid (Under 90)	C18246003F	C10-2460-3C	69/31	5,000/7,500	5
No Bolts w/Touch Reader Hole	C00246003P	C00-2460-3TR	65/29	8,000/12,000	8
Bolts w/Touch Reader Hole	C10246003P	C10-2460-3TR	65/29	8,000/12,000	8
No Bolts w/6x9 Drop In Reader Lid	C08246003T	C00-2460-3E	77/35	5,000/7,500	5
Bolts w/6x9 Drop In Reader Lid	C18246003T	C10-2460-3E	77/35	5,000/7,500	5
No Bolts w/7x13 Drop In Reader Lid	C08246003U	C00-2460-3E	77/35	5,000/7,500	5
Bolts w/7x13 Drop In Reader Lid	C18246003U	C10-2460-3E	77/35	5,000/7,500	5
No Bolts w/9x15 Drop In Reader Lid	C08246003V	C00-2460-3E	77/35	5,000/7,500	5
Bolts w/9x15 Drop In Reader Lid	C18246003V	C10-2460-3E	77/35	5,000/7,500	5

BOXES

DESCRIPTION	PART NO.	Old Catalog No.	WEIGHT# LBS./kg.	DESIGN/TEST LOAD#
Tier 8 W/2 Bolts	B10246024A	B10-2460-24	115/52	8,000/12,000
Tier 8 w/ Gasket*	B10246024G	B10-2460-24G	115/52	8,000/12,000
Tier 8 w/ Standard Mouseholes	B10246024M	B10-2460-24	115/52	8,000/12,000

*Gaskets reduce the inflow of fluids but do not make the enclosure water tight.

● Loadings comply with ANSI/SCTE 77 (See page 3 & 4)