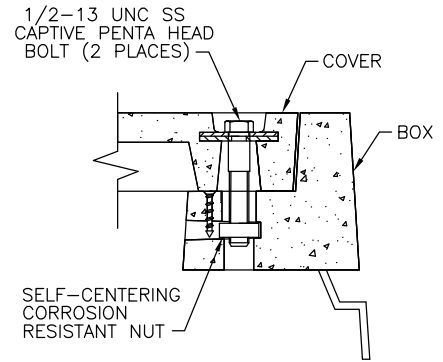
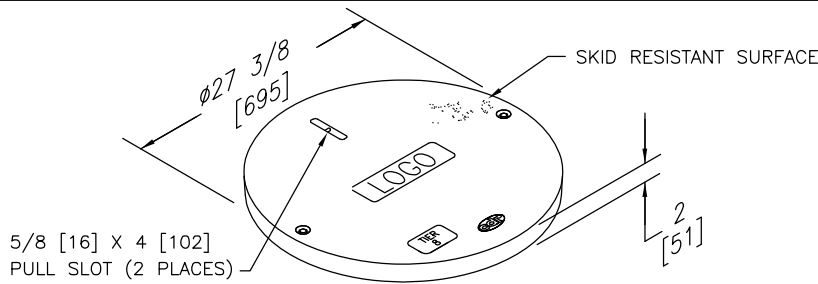


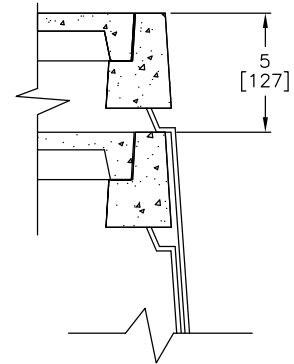
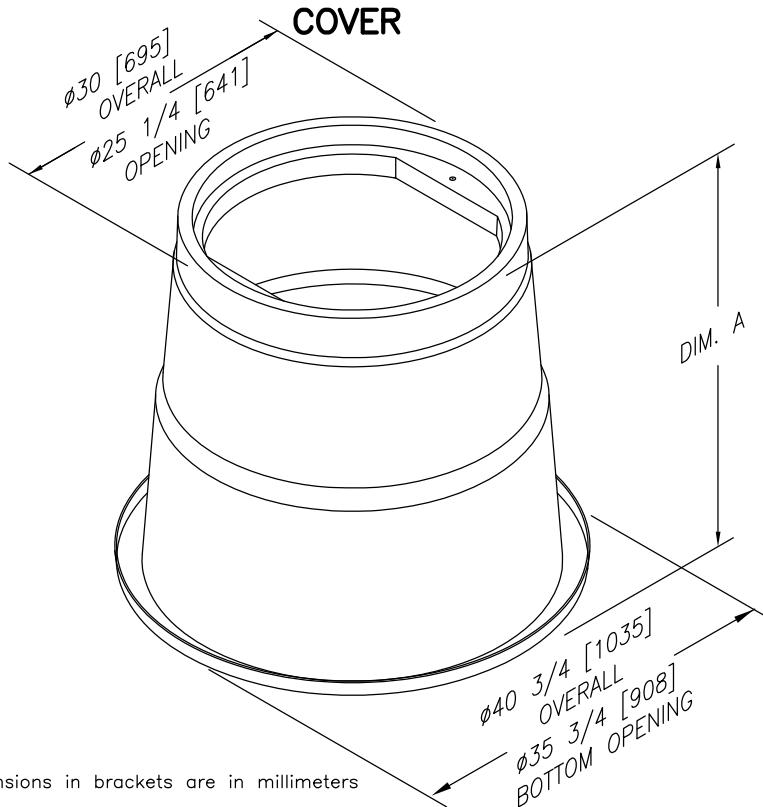
# SPECIFICATIONS/DATA

## 2700 ROUND ENCLOSURE (NESTABLE) ASSEMBLY



### CAPTIVE BOLT DETAIL

HEX HEAD BOLTS ARE AVAILABLE ON REQUEST



### NESTING DETAIL

Dimensions in brackets are in millimeters

<b>COVERS</b> Bolt down covers have S.S. Captive Penta Head Bolts [Blank unless logo is specified] (Hex Head Bolts are available – change 2nd digit in cover part no. to "2")					
DESCRIPTION	PART NO.	Old Catalog No.	WEIGHT# LBS./kg.	DESIGN/TEST LOAD#	ANSI TIER
Tier 8 w/2 Bolts	C10270002A	C10-2700-02	50/23	8,000/12,000	8
Tier 8 No Bolt Down	C00270002A	C00-2700-02	50/23	8,000/12,000	8
Tier 15 w/2 Bolts	C12270002A	C12-2700-02	65/29	15,000/22,500	15
Tier 15 No Bolt Down	C02270002A	C02-2700-02	65/29	15,000/22,500	15

Covers must be used with equivalent tier boxes or higher (example a Tier 15 cover may not be used with Tier 8 box).

<b>ENCLOSURE</b> (Nestable with self-aligning corrosion resistant replaceable nuts)						
DESCRIPTION	PART NO.	Old Catalog No.	DIM. A IN./mm.	WEIGHT# LBS./kg.	DESIGN/TEST LOAD#	ANSI TIER
Tier 8	B10270036A	B10-2700-36	36/305	95/43	8,000/12,000	8
	B10270072A	B10-2700-72	77/457	190/86	8,000/12,000	8
Tier 15	B12270036A	B12-2700-36	36/305	121/55	15,000/22,500	15
	B12270072A	B12-2700-72	77/457	242/110	15,000/22,500	15
Tier 8 w/ Gasket**	B10270036G	B10-2700-36G	36/305	95/43	8,000/12,000	8
	B10270072G	B10-2700-72G	77/457	190/86	8,000/12,000	8
Tier 15 w/ Gasket**	B12270036G	B12-2700-36G	36/305	121/55	15,000/22,500	15
	B12270072G	B12-2700-72G	77/457	242/110	15,000/22,500	15

\*72" Depth created by bolting 2-36" deep boxes bottom to bottom.

\*\*Gaskets reduce the inflow of fluids but do not make the enclosure water tight.

• Loadings comply with ANSI/SCTE 77 (See page 3 & 4)