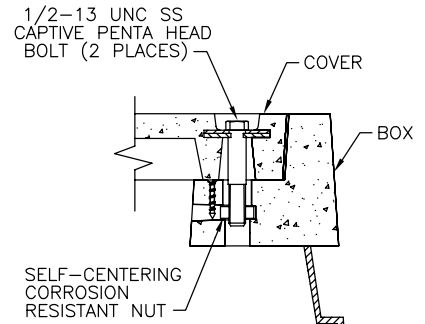
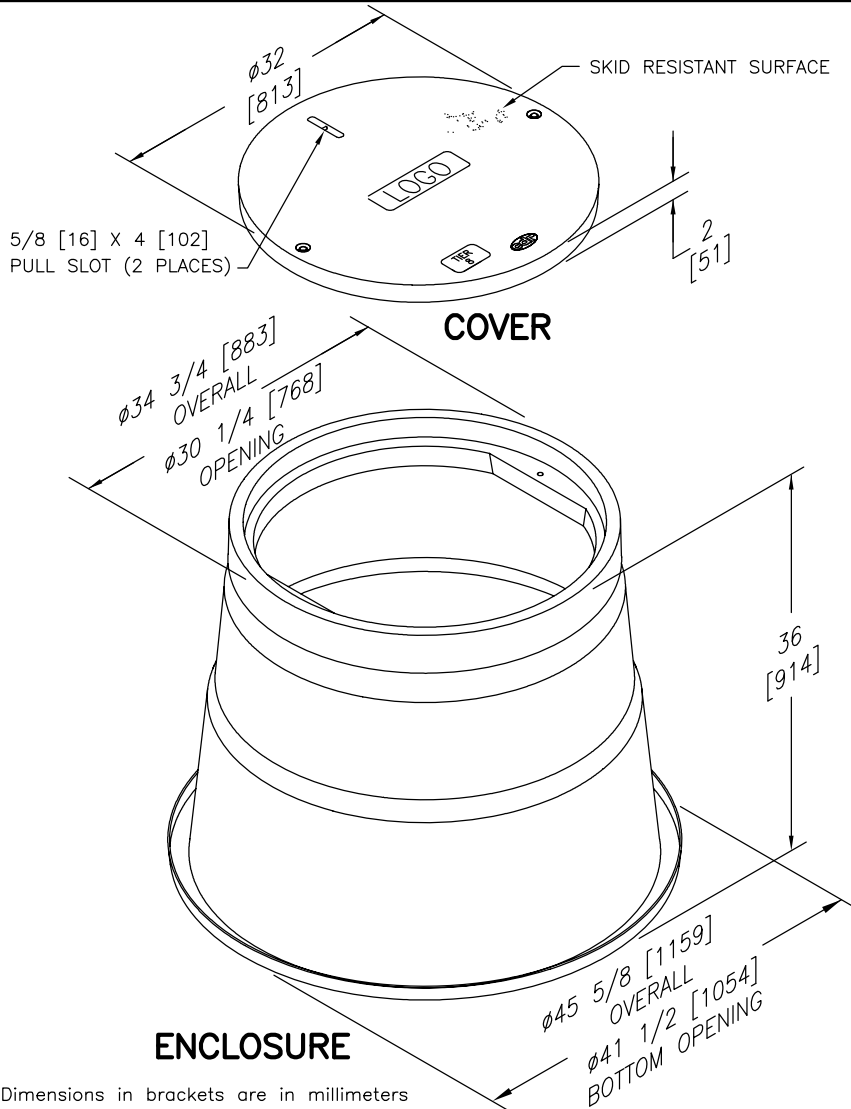


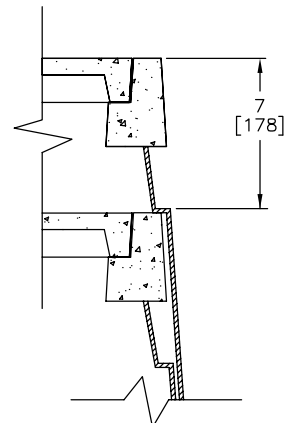
SPECIFICATIONS/DATA

3200 ROUND ENCLOSURE (NESTABLE) ASSEMBLY



CAPTIVE BOLT DETAIL

HEX HEAD BOLTS ARE AVAILABLE ON REQUEST



NESTING DETAIL

Dimensions in brackets are in millimeters

COVERS Bolt down covers have S.S. Captive Penta Head Bolts [Blank unless logo is specified] (Hex Head Bolts are available - change 2nd digit in cover part no. to "2")					
DESCRIPTION	PART NO.	Old Catalog No.	WEIGHT# LBS./kg.	DESIGN/TEST LOAD#	ANSI TIER
Tier 8 w/2 Bolts	C10320002A	C10-3200-02	91/41	8,000/12,000	8
Tier 8 No Bolt Down	C00320002A	C00-3200-02	91/41	8,000/12,000	8
Tier 15 w/2 Bolts	C12320002A	C12-3200-02	106/48	15,000/22,500	15
Tier 15 No Bolt Down	C02320002A	C02-3200-02	106/48	15,000/22,500	15
Tier 22 w/2 Bolts	C16320002A	Special number	106/48	22,500/33,750	22
Tier 22 No Bolt Down	C06320002A	Special number	106/48	22,500/33,750	22

Covers must be used with equivalent tier boxes or higher (example a Tier 15 cover may not be used with Tier 8 box).

ENCLOSURE (Nestable with self-aligning corrosion resistant replaceable nuts)						
DESCRIPTION	PART NO.	Old Catalog No.	DIM. A IN./mm.	WEIGHT# LBS./kg.	DESIGN/TEST LOAD#	ANSI TIER
Tier 8	B10320036A	B10-3200-36	36/305	95/43	8,000/12,000	8
Tier 15	B12320036A	B12-3200-36	36/305	121/55	15,000/22,500	15
Tier 22	B19320036A	Special number	36/305	121/55	22,500/33,750	22
Tier 8 w/ Gasket*	B10320036G	B10-3200-36G	36/305	95/43	8,000/12,000	8
Tier 15 w/ Gasket*	B12320036G	B12-3200-36G	36/305	121/55	15,000/22,500	15
Tier 22 w/ Gasket*	B19320036G	Special number	36/305	121/55	22,500/33,750	22

*Gaskets reduce the inflow of fluids but do not make the enclosure water tight.
 • Loadings comply with ANSI/SCTE 77 (See page 3 & 4)