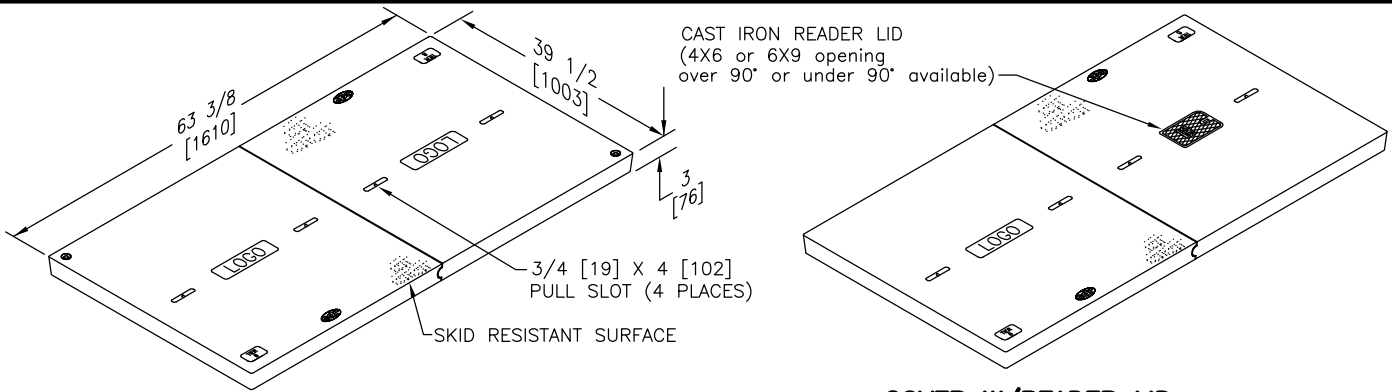


# SPECIFICATIONS/DATA

## 36" X 72" STRAIGHT WALL STYLE (STACKABLE) ASSEMBLY

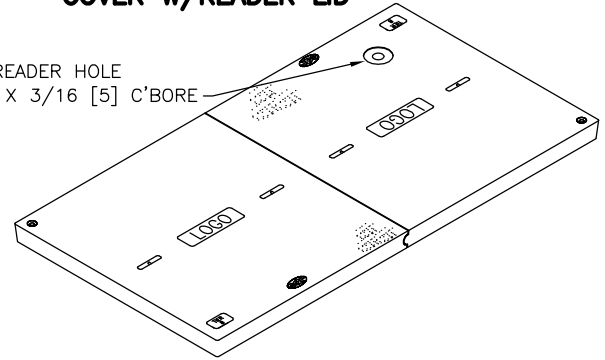
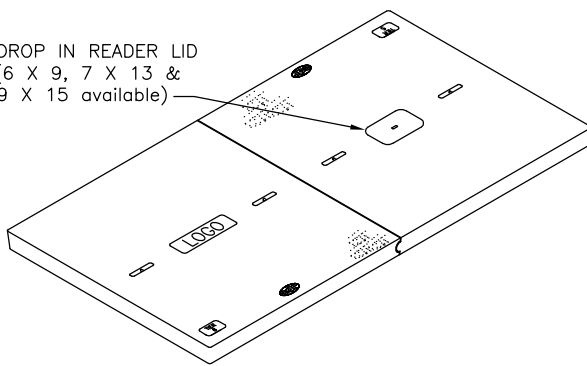


**2 PIECE COVER**  
(ONE PIECE COVERS ARE AVAILABLE)

**COVER W/READER LID**

DROP IN READER LID  
(6 X 9, 7 X 13 &  
9 X 15 available)

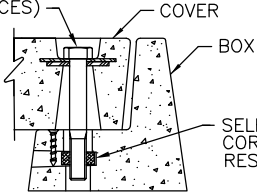
Ø2 [51] TOUCH READER HOLE  
w/Ø4 1/8 [105] X 3/16 [5] C'BORE



**COVER W/TOUCH READER HOLE**

**COVER W/DROP IN READER LID**

1/2-13 UNC SS  
CAPTIVE PENTA HEAD  
BOLT (2 PLACES)



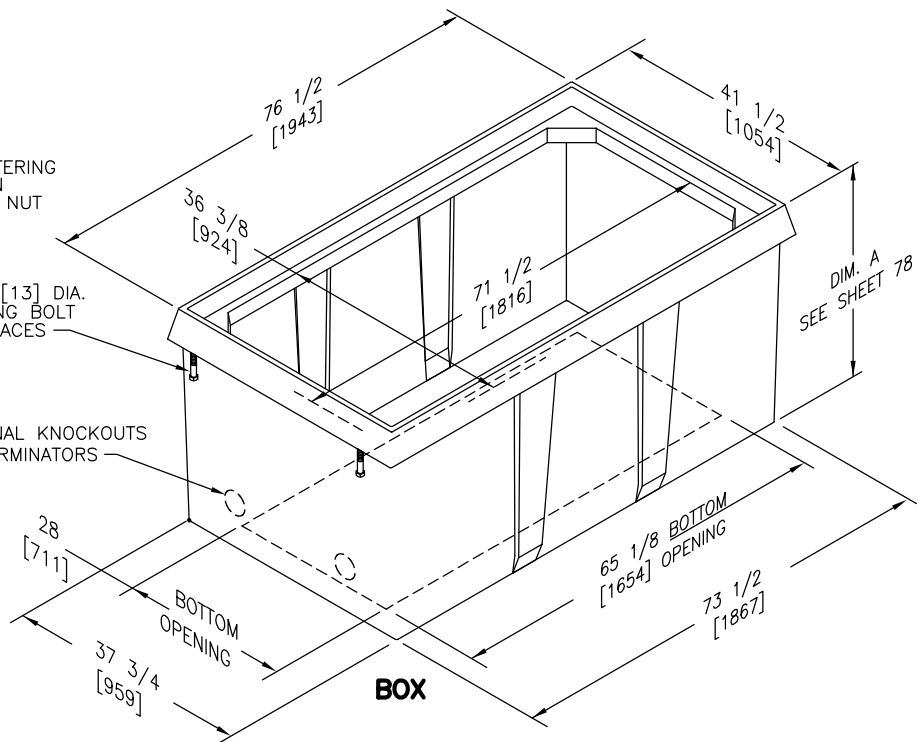
**CAPTIVE BOLT DETAIL**

HEX HEAD BOLTS ARE  
AVAILABLE ON REQUEST

SELF-CENTERING  
CORROSION  
RESISTANT NUT

1/2 [13] DIA.  
LIFTING BOLT  
4 PLACES

OPTIONAL KNOCKOUTS  
OR TERMINATORS



Dimensions in brackets are in millimeters

# SPECIFICATIONS/DATA

## 36" X 72" STRAIGHT WALL STYLE (STACKABLE) ASSEMBLY

**COVERS** Bolt down covers have S.S. Captive Penta Head Bolts [Blank unless logo is specified] (Hex Head Bolts are available – change 2nd digit in cover part no. to "2")

DESCRIPTION	PART NO.	Old Catalog No.	WEIGHT# LBS./kg.	DESIGN/TEST LOAD#	ANSI TIER
Tier 8 w/2 Bolts	C10367203A	C10-3672-23	275/125	8,000/12,000	8
Tier 8 No Bolt Down	C00367203A	C00-3672-23	275/125	8,000/12,000	8
Tier 15 w/2 Bolts	C12367203A	C12-3672-23	355/161	15,000/22,500	15
Tier 15 No Bolt Down	C02367203A	C02-3672-23	355/161	15,000/22,500	15
Tier 22 w/2 Bolts	C16367203A	special number	355/161	22,500/33,750	22
Tier 22 No Bolt Down	C06367203A	special number	355/161	22,500/33,750	22
No Bolts w/4x6 Meter Lid (Over 90)	C08367203C	C00-3672-23C	285/129	5,000/7,500	5
Bolts w/4x6 Meter Lid (Over 90)	C18367203C	C10-3672-23C	285/129	5,000/7,500	5
No Bolts w/4x6 Meter Lid (Under 90)	C08367203D	C00-3672-23C	285/129	5,000/7,500	5
Bolts w/4x6 Meter Lid (Under 90)	C18367203D	C10-3672-23C	285/129	5,000/7,500	5
No Bolts w/6x9 Meter Lid (Over 90)	C08367203E	C00-3672-23C	285/129	5,000/7,500	5
Bolts w/6x9 Meter Lid (Over 90)	C18367203E	C10-3672-23C	285/129	5,000/7,500	5
No Bolts w/6x9 Meter Lid (Under 90)	C08367203F	C00-3672-23C	285/129	5,000/7,500	5
Bolts w/6x9 Meter Lid (Under 90)	C18367203F	C10-3672-23C	285/129	5,000/7,500	5
No Bolts w/Touch Reader Hole	C00367203P	C00-3672-23TR	275/125	8,000/12,000	8
Bolts w/Touch Reader Hole	C10367203P	C10-3672-23TR	275/125	8,000/12,000	8
No Bolts w/6x9 Drop In Reader Lid	C08367203T	C00-3672-23E	355/161	5,000/7,500	5
Bolts w/6x9 Drop In Reader Lid	C18367203T	C10-3672-23E	355/161	5,000/7,500	5
No Bolts w/7x13 Drop In Reader Lid	C08367203U	C00-3672-23E	355/161	5,000/7,500	5
Bolts w/7x13 Drop In Reader Lid	C18367203U	C10-3672-23E	355/161	5,000/7,500	5
No Bolts w/9x15 Drop In Reader Lid	C08367203V	C00-3672-23E	355/161	5,000/7,500	5
Bolts w/9x15 Drop In Reader Lid	C18367203V	C10-3672-23E	355/161	5,000/7,500	5

Covers must be used with equivalent tier boxes or higher (example a Tier 15 cover may not be used with Tier 8 box). One piece cover is available upon request.

**BOXES** (Stackable with self-aligning corrosion resistant replaceable nuts)

DESCRIPTION	Part No.	Old Catalog No.	DIM. A IN./mm.	WEIGHT# LBS./kg.	DESIGN/TEST LOAD#	ANSI TIER
Tier 8	B13367236A	B13-3672-36W	36/914	326/118	8,000/12,000	8
	B13367248A	B13-3672-48W	48/1219	382/140	8,000/12,000	8
Tier 15	B14367236A	B14-3672-36W	36/914	346/129	15,000/22,500	15
	B14367248A	B14-3672-48W	48/1219	402/151	15,000/22,500	15
Tier 22	B16367236A	special number	36/914	346/129	22,500/33,750	22
	B16367248A	special number	48/1219	402/151	22,500/33,750	22
Tier 8 W/ Integral Bottom	B13367236B	B13-3672-36WB	36/914	366/166	8,000/12,000	8
	B13367248B	B13-3672-48WB	48/1219	422/191	8,000/12,000	8
Tier 15 W/ Integral Bottom	B14367236B	B14-3672-36WB	36/914	386/175	15,000/22,500	15
	B14367248B	B14-3672-48WB	48/1219	442/200	15,000/22,500	15
Tier 22 W/ Integral Bottom	B16367236B	special number	36/914	386/175	22,500/33,750	22
	B16367248B	special number	48/1219	442/200	22,500/33,750	22

- Loadings comply with ANSI/SCTE 77 (See page 3 & 4)