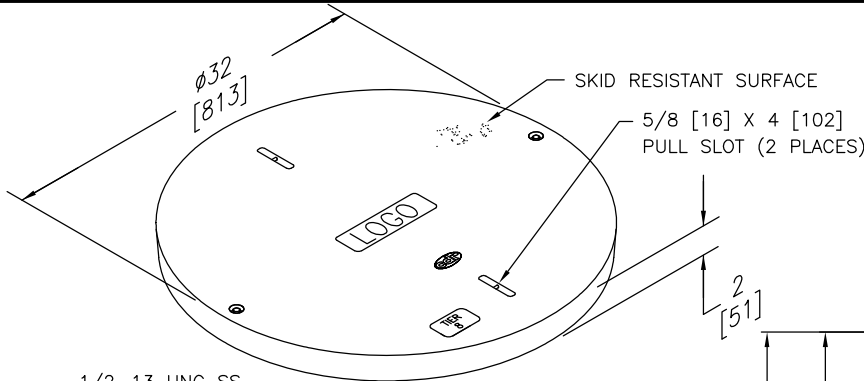
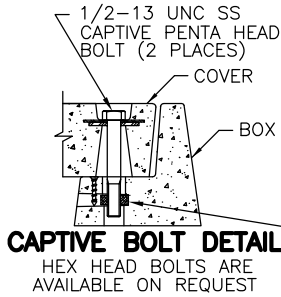


# SPECIFICATIONS/DATA

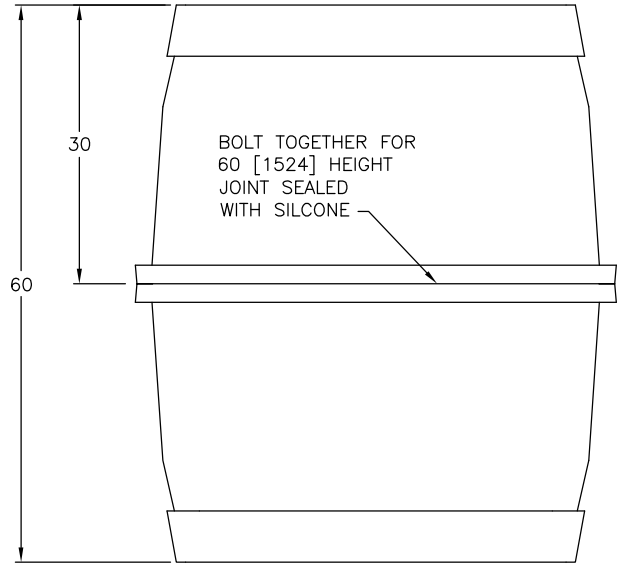
## 3900 ROUND ENCLOSURE (NESTABLE) ASSEMBLY



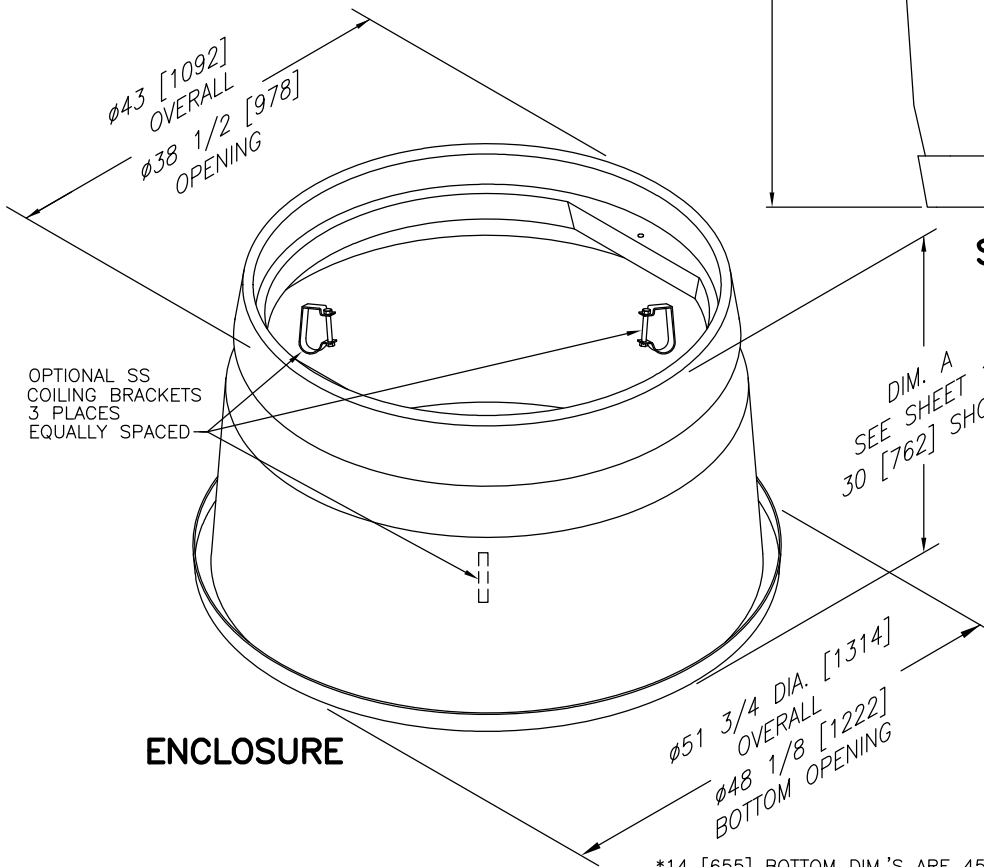
### COVER



SELF-CENTERING CORROSION RESISTANT NUT



### STACKING OPTION



Dimensions in brackets are in millimeters

\*14 [655] BOTTOM DIM.'S ARE 45 7/8 [1165] INSIDE & 51 [1295] OUTSIDE  
 \*36 [914] BOTTOM DIM.'S ARE 48 [1219] INSIDE & 51 3/4 [1314] OUTSIDE  
 \*500 [914] BOTTOM DIM.'S ARE 60 [1524] INSIDE & 65 [1651] OUTSIDE

# SPECIFICATIONS/DATA

## 3900 ROUND ENCLOSURE (NESTABLE) ASSEMBLY

<b>COVERS</b> Bolt down covers have S.S. Captive Penta Head Bolts [Blank unless logo is specified] (Hex Head Bolts are available – change 2nd digit in cover part no. to "2")					
DESCRIPTION	PART NO.	Old Catalog No.	WEIGHT# LBS./kg.	DESIGN/TEST LOAD#	ANSI TIER
Tier 8 w/2 Bolts	C10390003A	C10-3900-03	200/91	8,000/12,000	8
Tier 8 No Bolt Down	C00390003A	C00-3900-03	200/91	8,000/12,000	8
Tier 15 w/2 Bolts	C12390003A	C12-3900-03	250/113	15,000/22,500	15
Tier 15 No Bolt Down	C02390003A	C02-3900-03	250/113	15,000/22,500	15
Tier 22 w/2 Bolts	C16390003A	Special number	250/113	22,500/33,750	22
Tier 22 No Bolt Down	C06390003A	Special number	250/113	22,500/33,750	2

Covers must be used with equivalent tier boxes or higher (example a Tier 15 cover may not be used with Tier 8 box).

<b>ENCLOSURE</b> (With self-aligning corrosion resistant replaceable nuts)						
DESCRIPTION	Part No.	Old Catalog No.	DIM. A IN./mm.	WEIGHT# LBS./kg.	DESIGN/TEST LOAD#	ANSI TIER
Tier 8	B10390014A	B10-3900-14	14/356	154/340	8,000/12,000	8
	B10390030A	B10-3900-30	30/762	168/370	8,000/12,000	8
	B10390036A	B10-3900-36	36/914	175/385	8,000/12,000	8
	B103900500	B10-3900-36W	36/914	175/385	8,000/12,000	8
Tier 15	B12390014A	B12-3900-14	14/356	158/348	15,000/22,500	15
	B12390030A	B12-3900-30	30/762	179/395	15,000/22,500	15
	B12390036A	B12-3900-36	36/914	190/419	15,000/22,500	15
	B123900501	B12-3900-36W	36/914	190/419	15,000/22,500	15
Tier 22	B16390014A	special number	14/356	158/348	22,500/33,750	22
	B16390030A	special number	30/762	179/395	22,500/33,750	22
	B16390036A	special number	36/914	190/419	22,500/33,750	22
	B163900500	special number	36/914	190/419	22,500/33,750	22
Tier 8 W/ Gasket*	B10390014G	B10-3900-14G	14/356	154/340	8,000/12,000	8
	B10390030G	B10-3900-30G	30/762	168/370	8,000/12,000	8
	B10390036G	B10-3900-36G	36/914	175/385	8,000/12,000	8
	B103900501	B10-3900-36WG	36/914	175/385	8,000/12,000	8
Tier 15 W/ Gasket*	B12390014G	B12-3900-14G	14/356	158/348	15,000/22,500	15
	B12390030G	B12-3900-30G	30/762	179/395	15,000/22,500	15
	B12390036G	B12-3900-36G	36/914	190/419	15,000/22,500	15
	B123900502	B12-3900-36WG	36/914	190/419	15,000/22,500	15
Tier 22 W/ Gasket*	B16390014G	special number	14/356	158/348	22,500/33,750	22
	B16390030G	special number	30/762	179/395	22,500/33,750	22
	B16390036G	special number	36/914	190/419	22,500/33,750	22
	B163900501	special number	36/914	190/419	22,500/33,750	22

\*Gaskets reduce the inflow of fluids but do not make the enclosure water tight.

- Loadings comply with ANSI/SCTE 77 (See page 3 & 4)