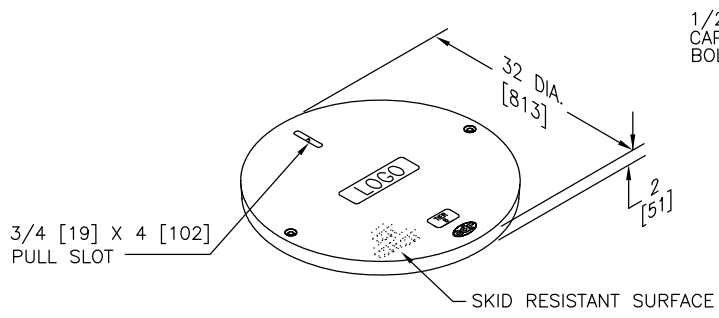
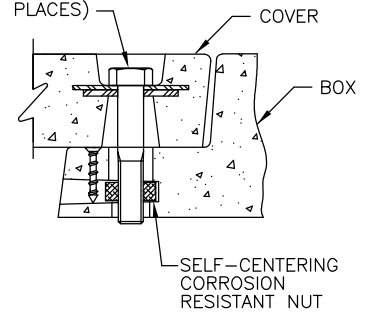


SPECIFICATIONS/DATA

48" X 48" ROUND COVER STYLE ASSEMBLY

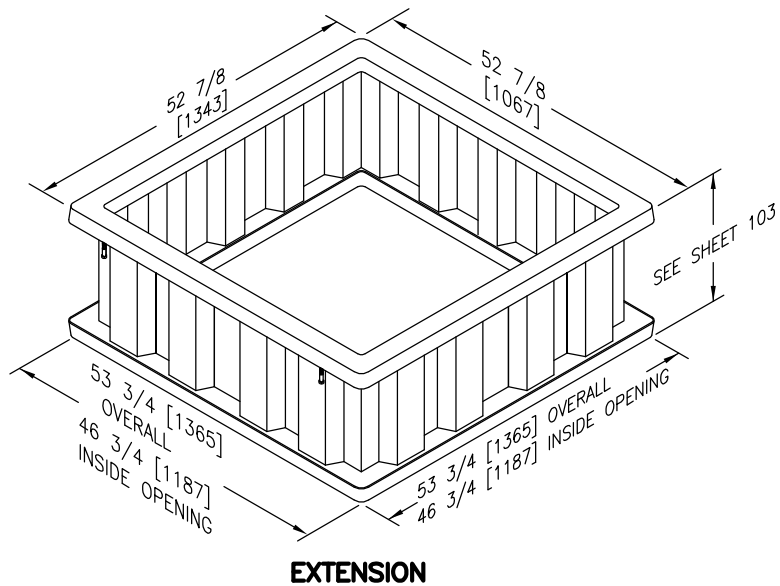
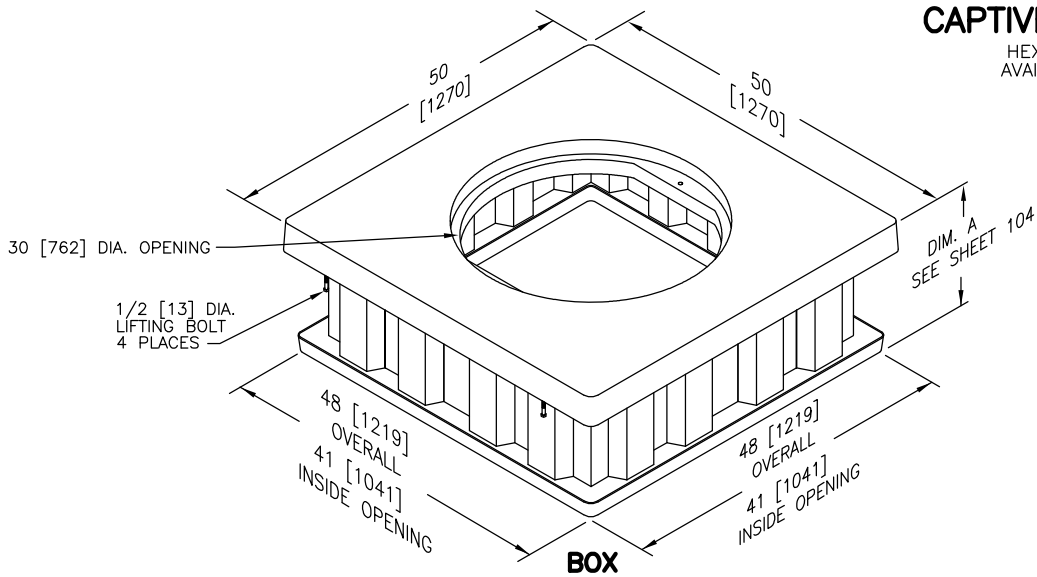


1/2-13 UNC SS CAPTIVE PENTA HEAD BOLT (2 PLACES)



CAPTIVE BOLT DETAIL

HEX HEAD BOLTS ARE AVAILABLE ON REQUEST



Dimensions in brackets are in millimeters





SPECIFICATIONS/DATA

48" X 48" ROUND COVER STYLE ASSEMBLY

COVERS Bolt down covers have S.S. Captive Penta Head Bolts [Blank unless logo is specified] (Hex Head Bolts are available – change 2nd digit in cover part no. to "2")					
DESCRIPTION	PART NO.	Old Catalog No.	WEIGHT# LBS./kg.	DESIGN/TEST LOAD#	ANSI TIER
Tier 8 w/2 Bolts	C10320002A	C10-3200-02	90/41	8,000/12,000	8
Tier 8 No Bolt Down	C00320002A	C00-3200-02	90/41	8,000/12,000	8
Tier 15 w/2 Bolts	C12320002A	C12-3200-02	105/48	15,000/22,500	15
Tier 15 No Bolt Down	C02320002A	C02-3200-02	105/48	15,000/22,500	15
Tier 22 w/2 Bolts	C16320002A	special number	105/48	22,500/33,750	22
Tier 22 No Bolt Down	C06320002A	special number	105/48	22,500/33,750	22

Covers must be used with equivalent tier boxes or higher (example a Tier 15 cover may not be used with Tier 8 box).
One piece cover is available upon request.

[Bottom Only] EXTENSION (Optional Knockouts or Terminators are available)					
DESCRIPTION	PART NO.	Old Catalog No.	WEIGHT# LBS./kg.	DESIGN/TEST LOAD#	ANSI TIER
Tier 8 12" Deep	EOA484812A	E00-4848-12	240/109	8,000/12,000	8
Tier 8 18" Deep	EOA484818A	E00-4848-18	265/120	8,000/12,000	8
Tier 8 24" Deep	EOA484824A	E00-4848-24	290/132	8,000/12,000	8
Tier 15 12" Deep	EOB484812A	E02-4848-12	240/109	15,000/22,500	15
Tier 15 18" Deep	EOB484818A	E02-4848-18	265/120	15,000/22,500	15
Tier 15 24" Deep	EOB484824A	E02-4848-24	290/132	15,000/22,500	15
Tier 22 12" Deep	EOC484812A	Special Number	240/109	22,500/33,750	22
Tier 22 18" Deep	EOC484818A	Special Number	265/120	22,500/33,750	22
Tier 22 24" Deep	EOC484824A	Special Number	290/132	22,500/33,750	22
Tier 8 12" Deep Integral Bottom	EOA484812B	E00-4848-12B	276/125	8,000/12,000	8
Tier 8 18" Deep Integral Bottom	EOA484818B	E00-4848-18B	301/137	8,000/12,000	8
Tier 8 24" Deep Integral Bottom	EOA484824B	E00-4848-24B	326/148	8,000/12,000	8
Tier 15 12" Deep Integral Bottom	EOB484812B	E02-4848-12B	276/125	15,000/22,500	15
Tier 15 18" Deep Integral Bottom	EOB484818B	E02-4848-18B	301/137	15,000/22,500	15
Tier 15 24" Deep Integral Bottom	EOB484824B	E02-4848-24B	326/148	15,000/22,500	15
Tier 22 12" Deep Integral Bottom	EOC484812B	Special Number	276/125	22,500/33,750	22
Tier 22 18" Deep Integral Bottom	EOC484818B	Special Number	301/137	22,500/33,750	22
Tier 22 24" Deep Integral Bottom	EOC484824B	Special Number	326/148	22,500/33,750	22



SPECIFICATIONS/DATA

48" X 48" ROUND COVER STYLE ASSEMBLY

BOXES (With self-aligning corrosion resistant replaceable nuts)						
DESCRIPTION	Part No.	Old Catalog No.	DIM. A IN./mm.	WEIGHT# LBS./kg.	DESIGN/TEST LOAD#	ANSI TIER
Tier 8	B1A484818R	B10-4848-18RC	18/457	700/318	8,000/12,000	8
	B1A484824R	B10-4848-24RC	24/610	710/322	8,000/12,000	8
	B1A484830R	B10-4848-30RC	30/762	720/327	8,000/12,000	8
	B1A484836R	B10-4848-36RC	36/914	730/331	8,000/12,000	8
	B1A484848R	B10-4848-48RC	48/1219	750/340	8,000/12,000	8
Tier 15	B1B484818R	B12-4848-18RC	18/457	705/320	15,000/22,500	15
	B1B484824R	B12-4848-24RC	24/610	715/324	15,000/22,500	15
	B1B484830R	B12-4848-30RC	30/762	725/329	15,000/22,500	15
	B1B484836R	B12-4848-36RC	36/914	735/333	15,000/22,500	15
	B1B484848R	B12-4848-48RC	48/1219	755/342	15,000/22,500	15
Tier 22	B1C484818R	Special Number	18/457	705/320	22,500/33,750	22
	B1C484824R	Special Number	24/610	715/324	22,500/33,750	22
	B1C484830R	Special Number	30/762	725/329	22,500/33,750	22
	B1C484836R	Special Number	36/914	735/333	22,500/33,750	22
	B1C484848R	Special Number	48/1219	755/342	22,500/33,750	22
Tier 8 W/ Integral Bottom	B1A4848500	B10-4848-18RCB	18/457	736/318	8,000/12,000	8
	B1A4848501	B10-4848-24RCB	24/610	746/322	8,000/12,000	8
	B1A4848504	B10-4848-30RCB	30/762	756/327	8,000/12,000	8
	B1A4848502	B10-4848-36RCB	36/914	766/331	8,000/12,000	8
	B1A4848503	B10-4848-48RCB	48/1219	786/340	8,000/12,000	8
Tier 15 W/ Integral Bottom	B1B4848500	B12-4848-18RCB	18/457	741/320	15,000/22,500	15
	B1B4848501	B12-4848-24RCB	24/610	751/324	15,000/22,500	15
	B1B4848504	B12-4848-30RCB	30/762	761/329	15,000/22,500	15
	B1B4848502	B12-4848-36RCB	36/914	771/333	15,000/22,500	15
	B1B4848503	B12-4848-48RCB	48/1219	791/342	15,000/22,500	15
Tier 22 W/ Integral Bottom	B1C4848500	Special Number	18/457	741/320	22,500/33,750	22
	B1C4848501	Special Number	24/610	751/324	22,500/33,750	22
	B1C4848504	Special Number	30/762	761/329	22,500/33,750	22
	B1C4848502	Special Number	36/914	771/333	22,500/33,750	22
	B1C4848503	Special Number	48/1219	791/342	22,500/33,750	22

*Boxes 30, 36 and 48" deep may be made as Adust-To-Grade by replacing B with letter G (example: G1A484830A)

● Loadings comply with ANSI/SCTE 77 (See page 3 & 4)

OPTIONAL SEPARATE BASE			
DESCRIPTION	PART NO.	Old Catalog No.	WEIGHT# LBS./kg.
Separate bottom for boxes	X004848	_X00-4848RC	36/16