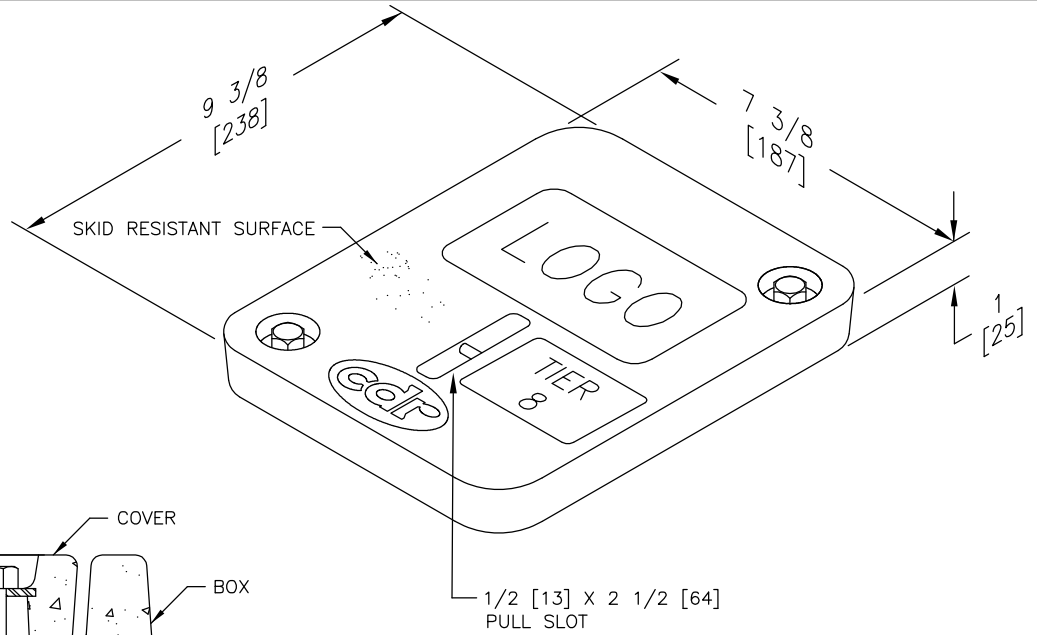
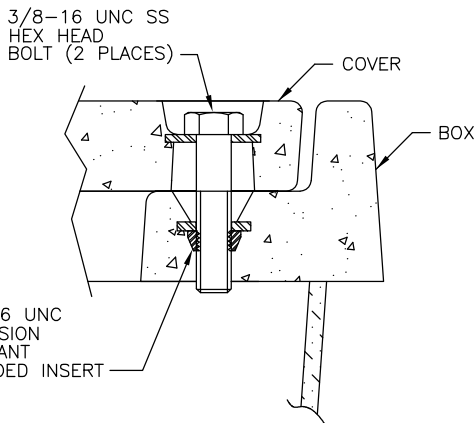


SPECIFICATIONS/DATA

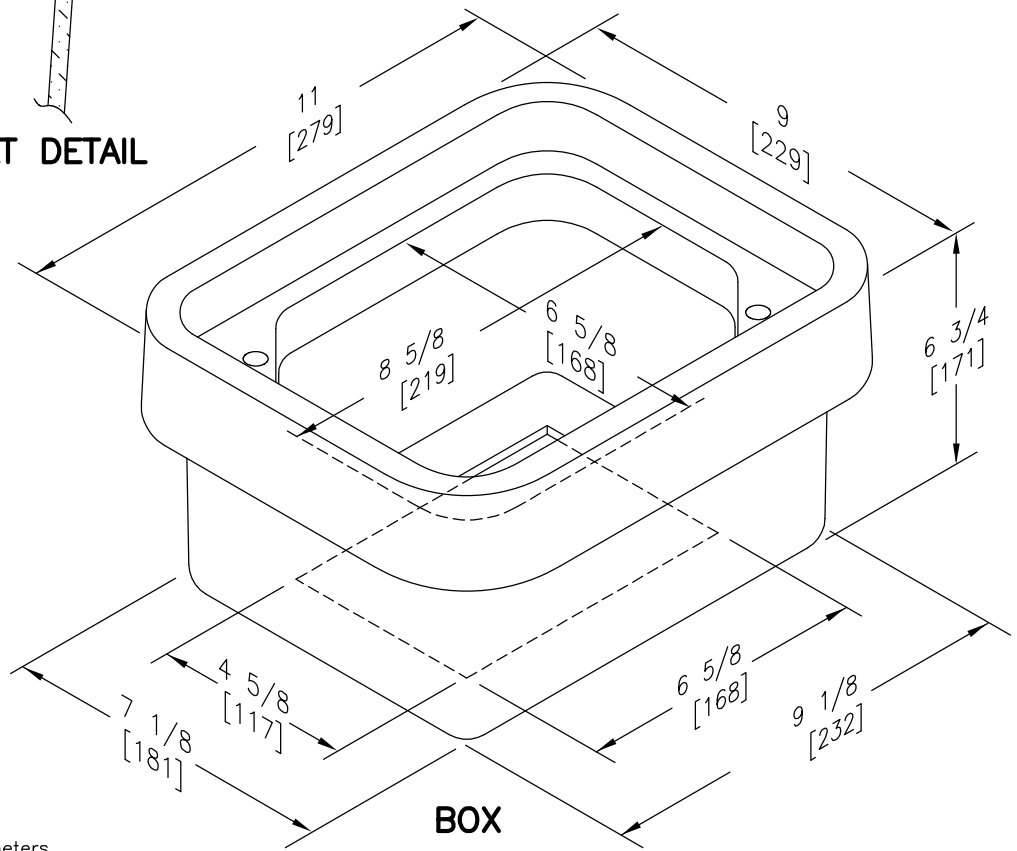
6" X 8" STRAIGHT WALL STYLE (STACKABLE) ASSEMBLY



COVER



CAPTIVE BOLT DETAIL



Dimensions in brackets are in millimeters

SPECIFICATIONS/DATA

6" X 8" STRAIGHT WALL STYLE (STACKABLE) ASSEMBLY

COVERS (Bolt down covers have S.S. Bolts) [Blank unless logo is specified]

| DESCRIPTION | PART NO. | Old Catalog No. | WEIGHT LBS./kg. | DESIGN/TEST LOAD# |
|---------------------|------------|-----------------|--------------------|----------------------|
| Tier 8 w/2 Bolts | C30060801A | C30-0608-01 | 5/2 | 8,000/12,000 |
| Tier 8 No Bolt Down | C00060801A | C00-0608-01 | 5/2 | 8,000/12,000 |

BOXES (Stackable with corrosion resistant nuts)

| DESCRIPTION | PART NO. | Old Catalog No. | WEIGHT LBS./kg. | DESIGN/TEST LOAD# | ANSI TIER |
|-----------------------------------|------------|-----------------|--------------------|----------------------|--------------|
| Tier 8 Open Bottom | B13060806A | B13-0608-06 | 6/3 | 8,000/12,000 | 8 |
| Tier 8 Solid Bottom | B03060806B | B13-0608-06B | 6.5/3 | 8,000/12,000 | 8 |
| Tier 8 Open Bottom w/ Gasket* | B13060806G | B13-0608-06G | 6/3 | 8,000/12,000 | 8 |
| Tier 8 Solid Bottom w/ Gasket* | B330608500 | B13-0608-06BG | 6.5/3 | 8,000/12,000 | 8 |

*Gaskets reduce the inflow of fluids but do not make the enclosure water tight.

- Loadings comply with ANSI/SCTE 77 (See page 2)