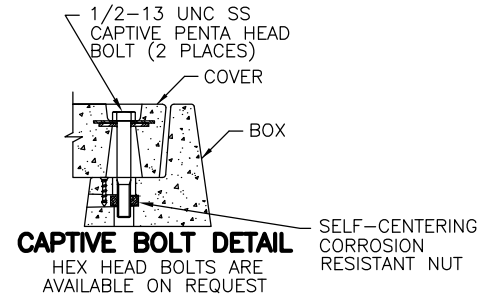
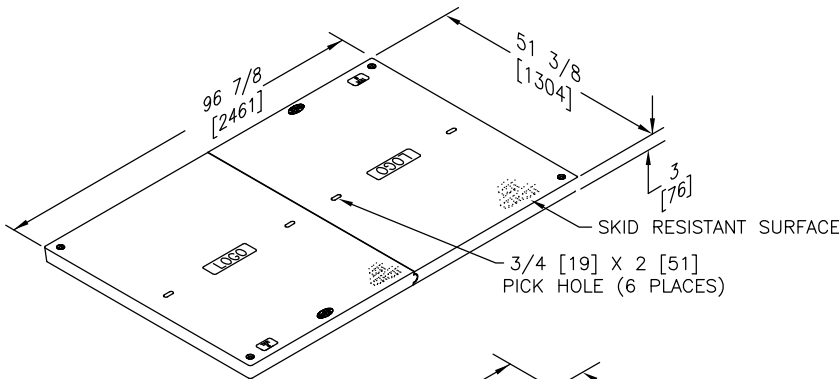
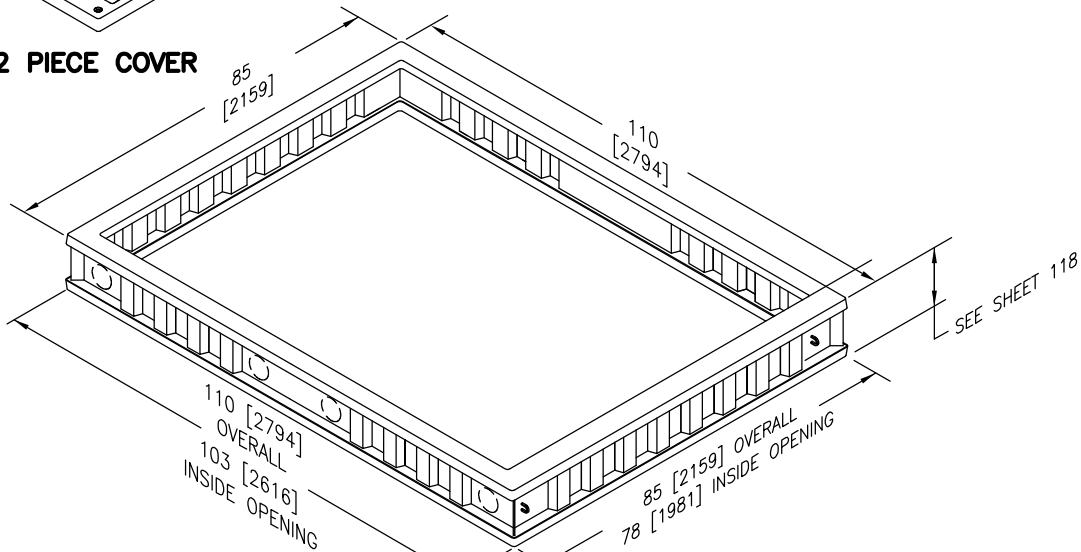


SPECIFICATIONS/DATA

78" X 96" CORRUGATED WALL STYLE ASSEMBLY

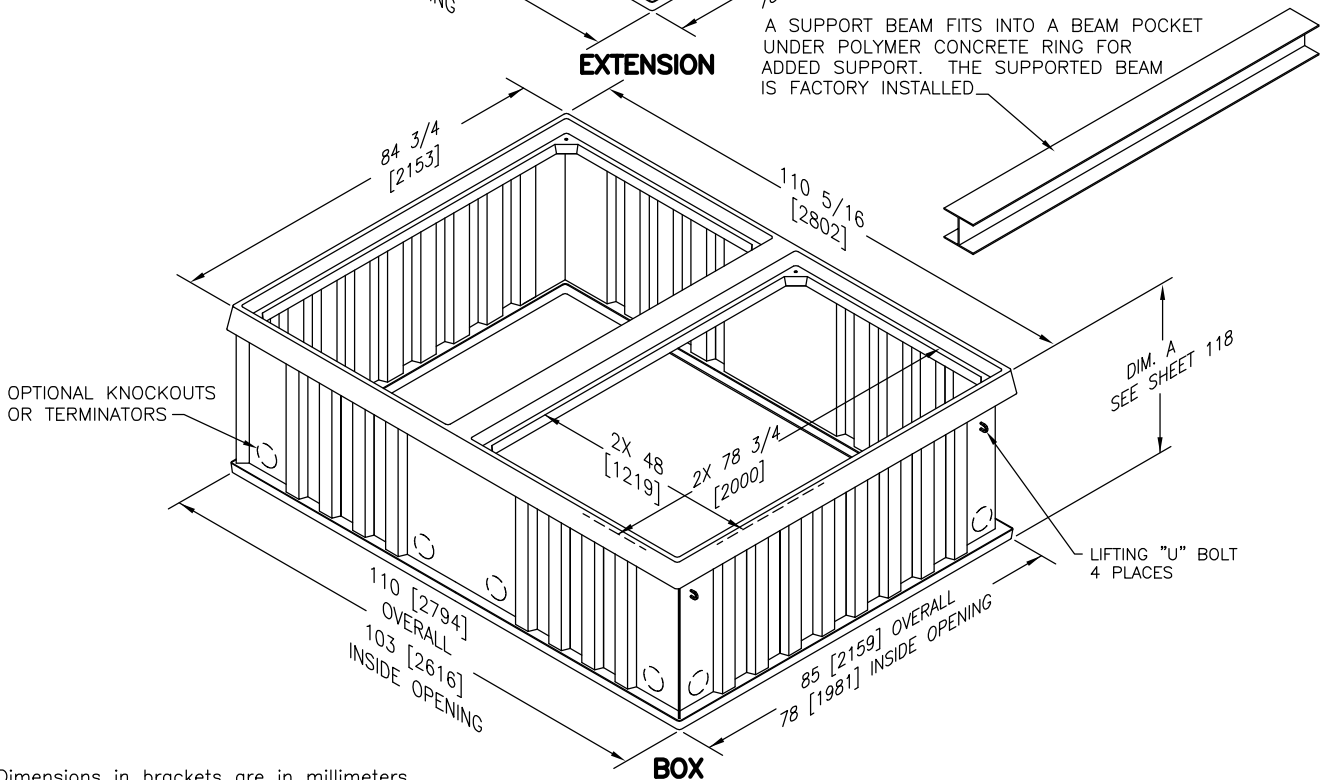


2 PIECE COVER



EXTENSION

A SUPPORT BEAM FITS INTO A BEAM POCKET UNDER POLYMER CONCRETE RING FOR ADDED SUPPORT. THE SUPPORTED BEAM IS FACTORY INSTALLED.



Dimensions in brackets are in millimeters

SPECIFICATIONS/DATA

78" X 96" CORRUGATED WALL STYLE ASSEMBLY

COVERS Bolt down covers have S.S. Captive Penta Head Bolts [Blank unless logo is specified]
(Hex Head Bolts are available - change 2nd digit in cover part no. to "2")

DESCRIPTION	PART NO.	Old Catalog No.	WEIGHT# LBS./kg.	DESIGN/TEST LOAD#	ANSI TIER
Tier 8 w/4 Bolts	C10789603A	_C10-7896-63	704/319	8,000/12,000	8
Tier 8 No Bolt Down	C00789603A	_C00-7896-63	704/319	8,000/12,000	8
Tier 15 w/4 Bolts	C12789603A	_C12-7896-63	880/399	15,000/22,500	15
Tier 15 No Bolt Down	C02789603A	_C02-7896-63	880/399	15,000/22,500	15
Tier 22 w/4 Bolts	C16789603A	Special Number	880/399	22,500/33,750	22
Tier 22 No Bolt Down	C06789603A	Special Number	880/399	22,750/33,750	22

[Bottom Only] **EXTENSION** (Optional Knockouts or Terminators are available)

DESCRIPTION	PART NO.	Old Catalog No.	WEIGHT# LBS./kg.	DESIGN/TEST LOAD#	ANSI TIER
Tier 8 12" Deep	EOA789612A	E00-7896-12	1050/476	8,000/12,000	8
Tier 8 24" Deep	EOA789624A	E00-7896-24	1063/482	8,000/12,000	8
Tier 8 36" Deep	EOA789636A	E00-7896-36	1076/488	8,000/12,000	8
Tier 8 44" Deep	EOA789644A	E00-7896-44	1089/494	8,000/12,000	8
Tier 15 12" Deep	EOB789612A	E02-7896-12	1050/476	15,000/22,500	15
Tier 15 24" Deep	EOB789624A	E02-7896-24	1063/482	15,000/22,500	15
Tier 15 36" Deep	EOB789636A	E02-7896-36	1076/488	15,000/22,500	15
Tier 15 44" Deep	EOB789644A	E02-7896-44	1089/494	15,000/22,500	15
Tier 22 12" Deep	EOC789612A	Special Number	1050/476	22,500/33,750	22
Tier 22 24" Deep	EOC789624A	Special Number	1063/482	22,500/33,750	22
Tier 22 36" Deep	EOC789636A	Special Number	1076/488	22,500/33,750	22
Tier 22 44" Deep	EOC789644A	Special Number	1089/494	22,500/33,750	22
Tier 8 12" Deep Integral Bottom	EOA789612B	E00-7896-12B	1111/504	8,000/12,000	8
Tier 8 24" Deep Integral Bottom	EOA789624B	E00-7896-24B	1124/510	8,000/12,000	8
Tier 8 36" Deep Integral Bottom	EOA789636B	E00-7896-36B	1137/515	8,000/12,000	8
Tier 8 44" Deep Integral Bottom	EOA789644B	E00-7896-44B	1149/521	8,000/12,000	8
Tier 15 12" Deep Integral Bottom	EOB789612B	E02-7896-12B	1111/504	15,000/22,500	15
Tier 15 24" Deep Integral Bottom	EOB789624B	E02-7896-24B	1124/510	15,000/22,500	15
Tier 15 36" Deep Integral Bottom	EOB789636B	E02-7896-36B	1137/515	15,000/22,500	15
Tier 15 44" Deep Integral Bottom	EOB789644B	E02-7896-44B	1149/521	15,000/22,500	15
Tier 22 12" Deep Integral Bottom	EOC789612B	Special Number	1111/504	22,500/33,750	22
Tier 22 24" Deep Integral Bottom	EOC789624B	Special Number	1124/510	22,500/33,750	22
Tier 22 36" Deep Integral Bottom	EOC789636B	Special Number	1137/515	22,500/33,750	22
Tier 22 44" Deep Integral Bottom	EOC789644B	Special Number	1149/521	22,500/33,750	22

BOXES (With self-aligning corrosion resistant replaceable nuts)

DESCRIPTION	Part No.	Old Catalog No.	DIM. A IN./mm.	WEIGHT# LBS./kg.	DESIGN/TEST LOAD#	ANSI TIER
Tier 8	B1A789636A	B10-7896-36	36/914	1826/828	8,000/12,000	8
	B1A789648A	B10-7896-48	48/1219	1892/860	8,000/12,000	8
Tier 15	B1B789636A	B12-7896-36	36/914	1826/828	15,000/22,500	15
	B1B789648A	B12-7896-48	48/1219	1892/860	15,000/22,500	15
Tier 22	B1C789636A	Special Number	36/914	1826/828	22,500/33,750	22
	B1C789648A	Special Number	48/1219	1892/860	22,500/33,750	22
Tier 8 Integral bottom	B1A789636B	B10-7896-36B	36/914	1957/888	8,000/12,000	8
	B1A789648B	B10-7896-48B	48/1219	2028/920	8,000/12,000	8
Tier 15 Integral bottom	B1B789636B	B12-7896-36B	36/914	1957/888	15,000/22,500	15
	B1B789648B	B12-7896-48B	48/1219	2028/920	15,000/22,500	15
Tier 22 Integral bottom	B1C789636B	Special Number	36/914	1957/888	22,500/33,750	22
	B1C789648B	Special Number	48/1219	2028/920	22,500/33,750	22

• Loadings comply with ANSI/SCTE 77 (See page 3 & 4)

OPTIONAL SEPARATE BASE

DESCRIPTION	PART NO.	Old Catalog No.	WEIGHT# LBS./kg.
Separate bottom for boxes	X007896	_X00-7896	61/28