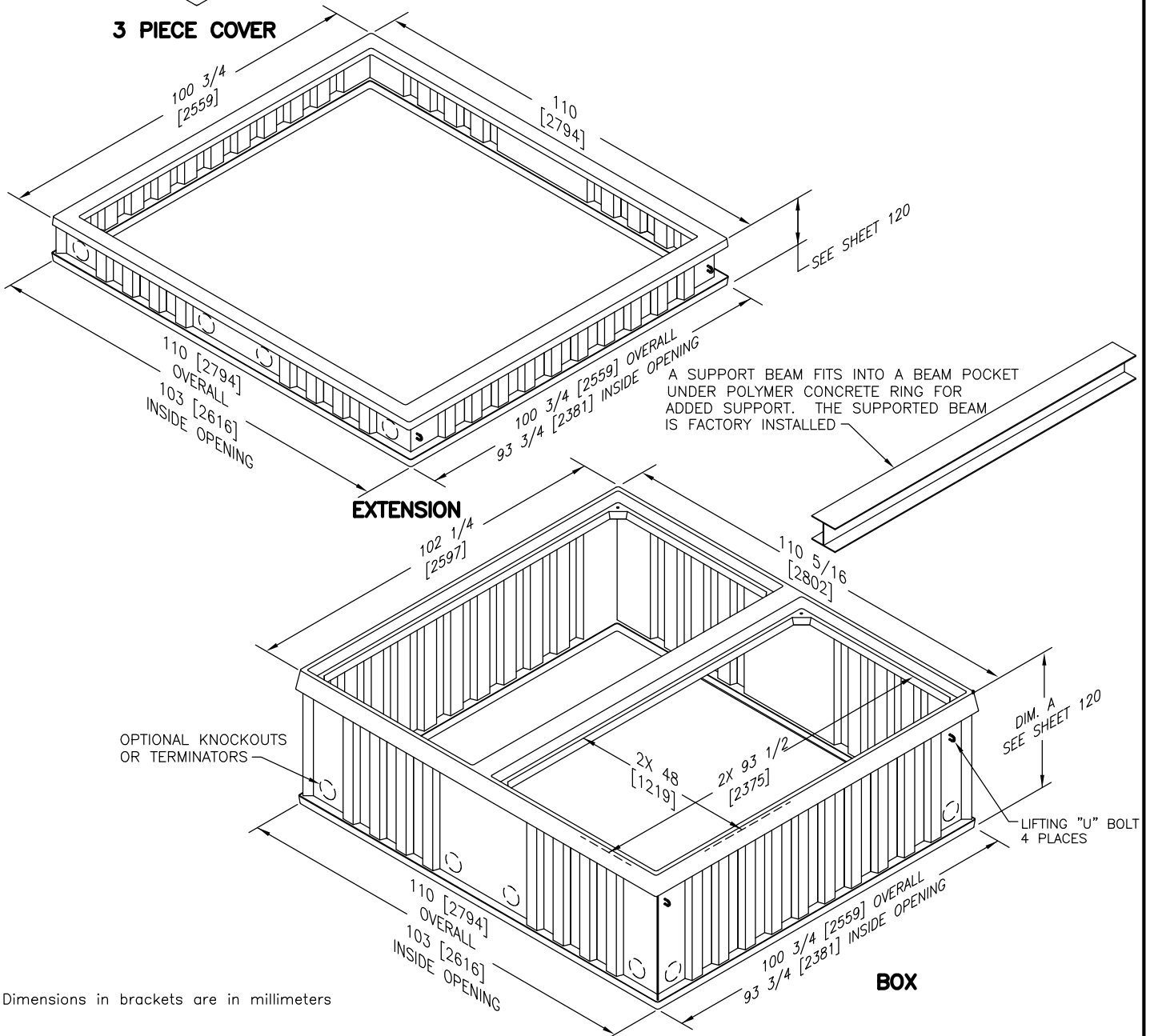
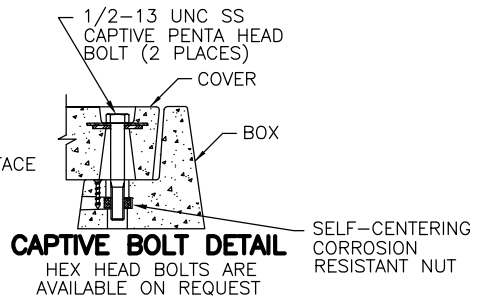
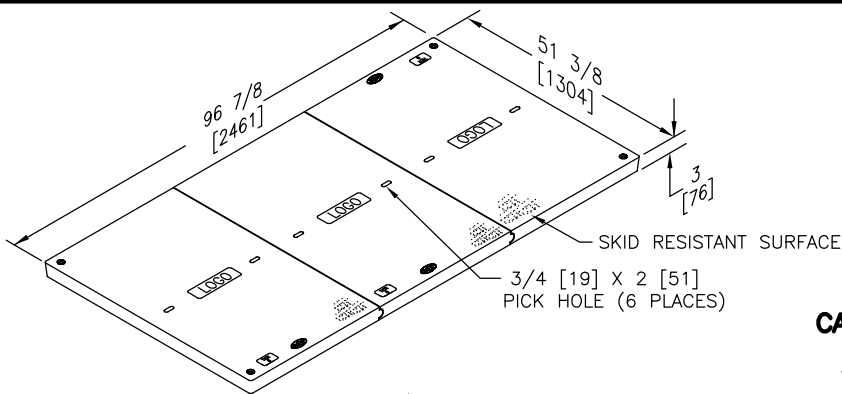


SPECIFICATIONS/DATA

96" X 96" CORRUGATED WALL STYLE ASSEMBLY



Dimensions in brackets are in millimeters



SPECIFICATIONS/DATA

96" X 96" CORRUGATED WALL STYLE ASSEMBLY

COVERS Bolt down covers have S.S. Captive Penta Head Bolts [Blank unless logo is specified]
(Hex Head Bolts are available – change 2nd digit in cover part no. to "2")

| DESCRIPTION | PART NO. | Old Catalog No. | WEIGHT# LBS./kg. | DESIGN/TEST LOAD# | ANSI TIER |
|----------------------|------------|-----------------|---------------------|----------------------|--------------|
| Tier 8 w/4 Bolts | C10969603A | _C10-9696-63 | 804/365 | 8,000/12,000 | 8 |
| Tier 8 No Bolt Down | C00969603A | _C00-9696-63 | 804/365 | 8,000/12,000 | 8 |
| Tier 15 w/4 Bolts | C12969603A | _C10-9696-63 | 1005/456 | 15,000/22,500 | 15 |
| Tier 15 No Bolt Down | C02969603A | _C00-9696-63 | 1005/456 | 15,000/22,500 | 15 |
| Tier 22 w/4 Bolts | C16969603A | Special Number | 1005/456 | 22,500/33,750 | 22 |
| Tier 22 No Bolt Down | C06969603A | Special Number | 1005/456 | 22,500/33,750 | 22 |

[Bottom Only] **EXTENSION** (Optional Knockouts or Terminators are available)

| DESCRIPTION | PART NO. | Old Catalog No. | WEIGHT# LBS./kg. | DESIGN/TEST LOAD# | ANSI TIER |
|----------------------------------|------------|-----------------|---------------------|----------------------|--------------|
| Tier 8 12" Deep | EOA969612A | E00-9696-12 | 1292/586 | 8,000/12,000 | 8 |
| Tier 8 24" Deep | EOA969624A | E00-9696-24 | 1308/593 | 8,000/12,000 | 8 |
| Tier 8 36" Deep | EOA969636A | E00-9696-36 | 1324/600 | 8,000/12,000 | 8 |
| Tier 8 44" Deep | EOA969644A | E00-9696-44 | 1340/607 | 8,000/12,000 | 8 |
| Tier 15 12" Deep | EOB969612A | E02-9696-12 | 1292/586 | 15,000/22,500 | 15 |
| Tier 15 24" Deep | EOB969624A | E02-9696-24 | 1308/593 | 15,000/22,500 | 15 |
| Tier 15 36" Deep | EOB969636A | E02-9696-36 | 1324/600 | 15,000/22,500 | 15 |
| Tier 15 44" Deep | EOB969644A | E02-9696-44 | 1340/607 | 15,000/22,500 | 15 |
| Tier 22 12" Deep | EOC969612A | Special Number | 1292/586 | 22,500/33,750 | 22 |
| Tier 22 24" Deep | EOC969624A | Special Number | 1308/593 | 22,500/33,750 | 22 |
| Tier 22 36" Deep | EOC969636A | Special Number | 1324/600 | 22,500/33,750 | 22 |
| Tier 22 44" Deep | EOC969644A | Special Number | 1340/607 | 22,500/33,750 | 22 |
| Tier 8 12" Deep Integral Bottom | EOA969612B | E00-9696-12B | 1367/620 | 8,000/12,000 | 8 |
| Tier 8 24" Deep Integral Bottom | EOA969624B | E00-9696-24B | 1383/627 | 8,000/12,000 | 8 |
| Tier 8 36" Deep Integral Bottom | EOA969636B | E00-9696-36B | 1399/635 | 8,000/12,000 | 8 |
| Tier 8 44" Deep Integral Bottom | EOA969644B | E00-9696-44B | 1415/642 | 8,000/12,000 | 8 |
| Tier 15 12" Deep Integral Bottom | EOB969612B | E02-9696-12B | 1367/620 | 15,000/22,500 | 15 |
| Tier 15 24" Deep Integral Bottom | EOB969624B | E02-9696-24B | 1383/627 | 15,000/22,500 | 15 |
| Tier 15 36" Deep Integral Bottom | EOB969636B | E02-9696-36B | 1399/635 | 15,000/22,500 | 15 |
| Tier 15 44" Deep Integral Bottom | EOB969644B | E02-9696-44B | 1415/642 | 15,000/22,500 | 15 |
| Tier 22 12" Deep Integral Bottom | EOC969612B | Special Number | 1367/620 | 22,500/33,750 | 22 |
| Tier 22 24" Deep Integral Bottom | EOC969624B | Special Number | 1383/627 | 22,500/33,750 | 22 |
| Tier 22 36" Deep Integral Bottom | EOC969636B | Special Number | 1399/635 | 22,500/33,750 | 22 |
| Tier 22 44" Deep Integral Bottom | EOC969644B | Special Number | 1415/642 | 22,500/33,750 | 22 |

BOXES (With self-aligning corrosion resistant replaceable nuts)

| DESCRIPTION | Part No. | Old Catalog No. | DIM. A IN./mm. | WEIGHT# LBS./kg. | DESIGN/TEST LOAD# | ANSI TIER |
|----------------------------|------------|-----------------|-------------------|---------------------|----------------------|--------------|
| Tier 8 | B1A969636A | B10-9696-36 | 36/914 | 2247/1019 | 8,000/12,000 | 8 |
| | B1A969648A | B10-9696-48 | 48/1219 | 2328/1056 | 8,000/12,000 | 8 |
| Tier 15 | B1B969636A | B12-9696-36 | 36/914 | 2247/1019 | 15,000/22,500 | 15 |
| | B1B969648A | B12-9696-48 | 48/1219 | 2328/1056 | 15,000/22,500 | 15 |
| Tier 22 | B1C969636A | Special Number | 36/914 | 2247/1019 | 22,500/33,750 | 22 |
| | B1C969648A | Special Number | 48/1219 | 2328/1056 | 22,500/33,750 | 22 |
| Tier 8 Integral Bottom | B1A969636B | B10-9696-36 | 36/914 | 2409/1093 | 8,000/12,000 | 8 |
| | B1A969648B | B10-9696-48 | 48/1219 | 2496/1132 | 8,000/12,000 | 8 |
| Tier 15 Integral Bottom | B1B969636B | B12-9696-36 | 36/914 | 2409/1093 | 15,000/22,500 | 15 |
| | B1B969648B | B12-9696-48 | 48/1219 | 2496/1132 | 15,000/22,500 | 15 |
| Tier 22 Integral Bottom | B1C969636B | Special Number | 36/914 | 2409/1093 | 22,500/33,750 | 22 |
| | B1C969648B | Special Number | 48/1219 | 2496/1132 | 22,500/33,750 | 22 |

• Loadings comply with ANSI/SCTE 77 (See page 3 & 4)

OPTIONAL SEPARATE BASE

| DESCRIPTION | PART NO. | Old Catalog No. | WEIGHT# LBS./kg. |
|---------------------------|----------|-----------------|---------------------|
| Separate bottom for boxes | X009696 | _X00-9696 | 75/34 |

