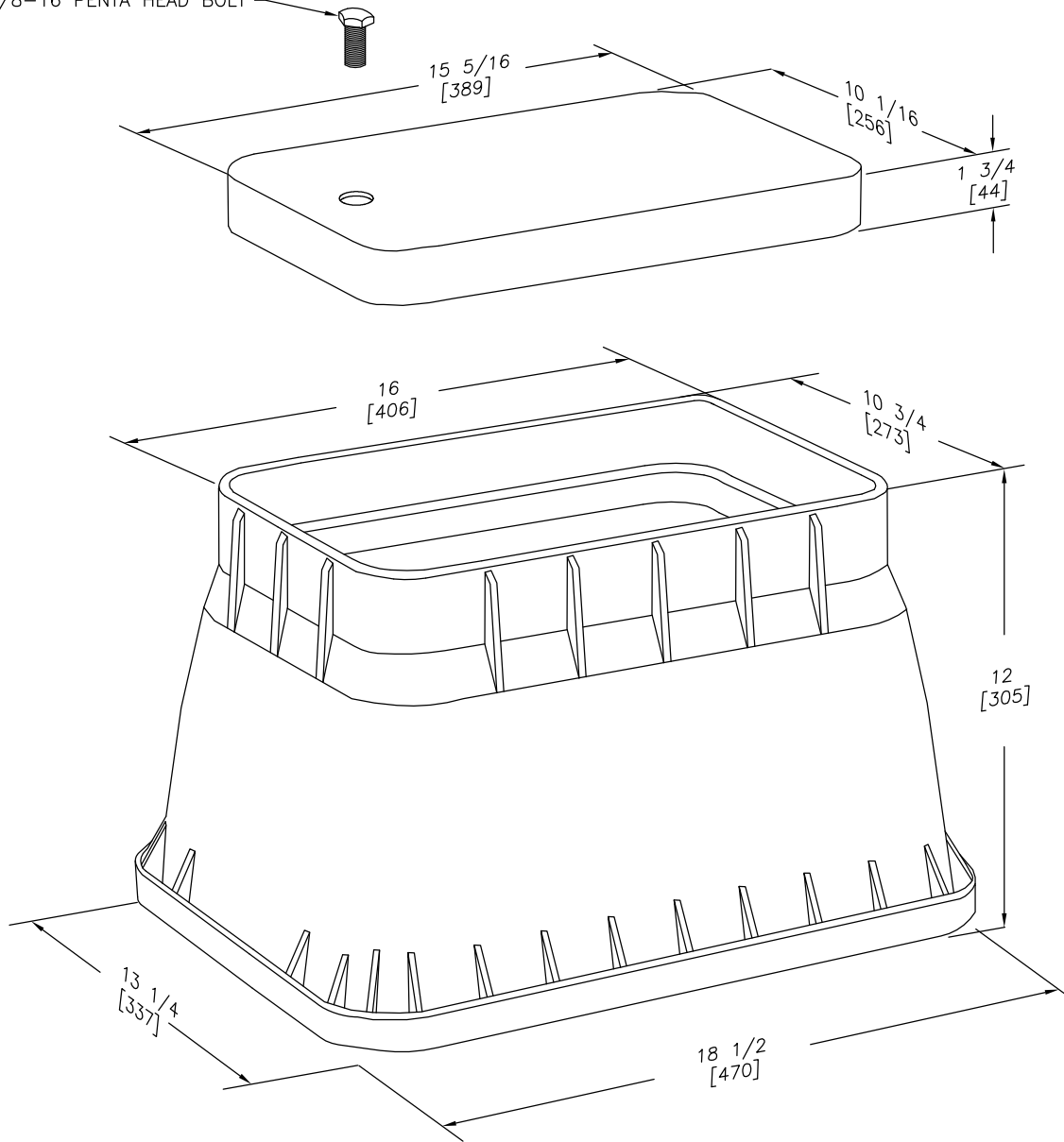


3/8-16 PENTA HEAD BOLI



MATERIAL: REINFORCED THERMOPLASTIC POLYMERS
 RATED FOR FOR PEDESTRIAN TRAFFIC ONLY

PLASTIC RECTANGULAR ASSEMBLY		
Part No.	Old Catalog No.	WEIGHT# LBS./kg.
A47101512A	PLA1-1015-12	11/5

Dimensions in brackets are in millimeters