
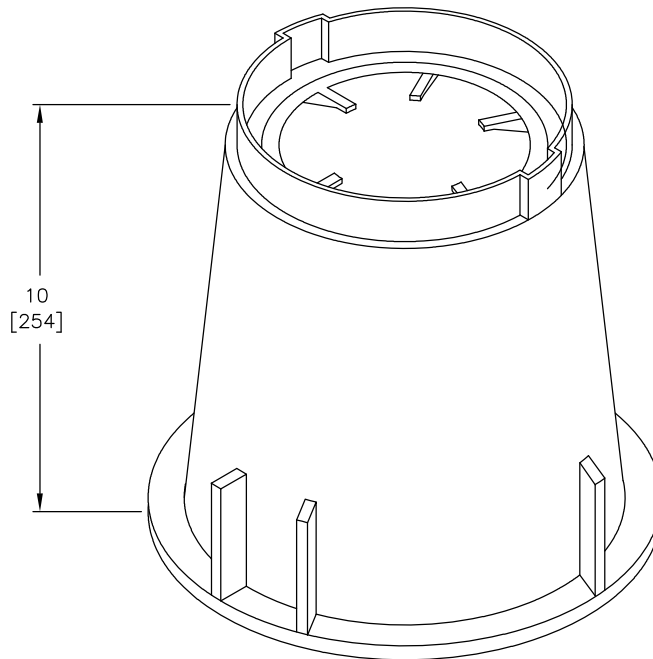
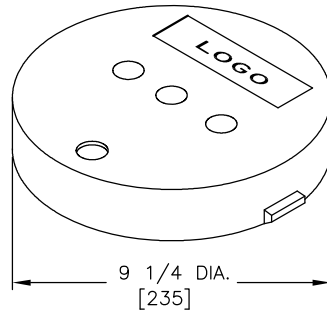


# SPECIFICATIONS/DATA

## PLASTIC ROUND ENCLOSURE ASSEMBLY

3/8-16 HEX HEAD BOLT 



MATERIAL: REINFORCED THERMOPLASTIC POLYMERS  
RATED FOR FOR PEDESTRIAN TRAFFIC ONLY

PLASTIC ROUND ENCLOSURE ASSEMBLY		
Part No.	Old Catalog No.	WEIGHT# LBS./kg.
A37090010A	PLA1-0900-10	5/2

Dimensions in brackets are in millimeters

