



1 Convenient to store, easy to transport, vault comes palletized.



2 Can be assembled directly on pallet if desired.



3 Vault assembles using only hand tools.

Save **TIME • SPACE • MONEY**

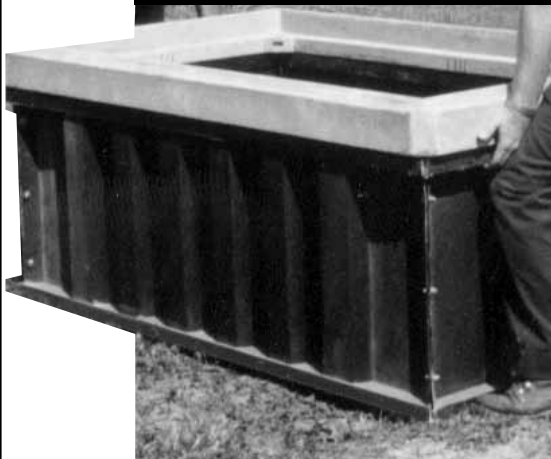
QAV-II

QUICK • ASSEMBLE • VAULT

4 Exclusive one-piece collar keeps vault square.

5 Quick and easy level to grade.

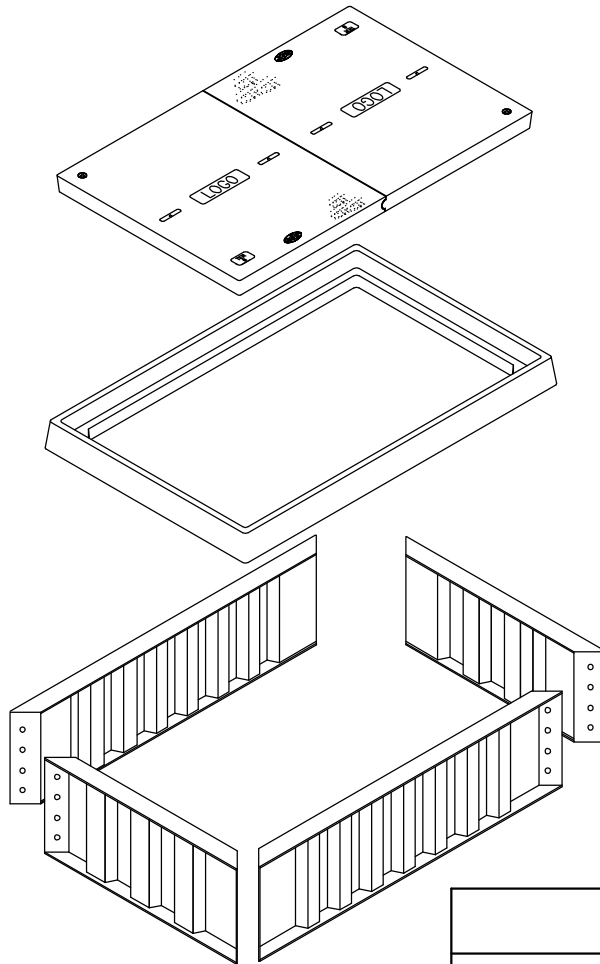
6 Vault assembles and installs in minutes.



SPECIFICATIONS/DATA



QUICK ASSEMBLY VAULT



LIGHTEST WEIGHT

1/3 TO 1/10 THE WEIGHT OF STANDARD CONCRETE BOXES
EASILY INSTALLED BY 1 OR 2 MEN WITHOUT HEAVY EQUIPMENT.

HIGHEST STRENGTH

SPECIAL COMBINATION OF POLYMER CONCRETE AND FIBER REINFORCED POLYESTER – 3 TO 4 TIMES THE COMPRESSIVE STRENGTH OF CONCRETE & HAS THE TENSILE STRENGTH OF STEEL.

LONGEST LIFE

PROJECTED 30 OR MORE YEARS – BASED ON PAST INSTALLATIONS IN ALL CLIMATES.

ADDITIONAL FEATURES:

EXCLUSIVE ONE PIECE COLLAR PREVENTS VAULT FORM GOING "OUT OF SQUARE" DURING BACK FILL OPERATION OR AFTER GROUND SETTLES. VAULT COVERS ARE EASILY INSTALLED OR REMOVED EVERYTIME!

OPENINGS ARE EASILY CUT, OR CAN BE ORDERED WITH OPENINGS ALREADY CUT FROM THE FACTORY.

TONGUE AND GROOVE INTERLOCKING DESIGN IN LARGE TWO OR THREE PIECE COVERS SPEED INSTALLATION AND REMOVAL OF LID PANELS.

- Bolting covers to boxes is simplified by utilized captive stainless steel bolts and self-centering nuts that are replaceable if the threads are stripped.
- Boxes can be made in any depth from 12 to 48 inches.
- Boxes are available with or without bottoms.
- Vaults are palletized for convenient storage and transportation to job sites.

Two men can assemble a vault in 15 minutes with standard hand tools.



VAULT ASSEMBLIES

| PART NO. | Old Catalog No. | WIDTH IN./mm | LENGTH IN./mm | DEPTH IN./mm | WEIGHT# LBS./kg. |
|------------|-----------------|-----------------|------------------|-----------------|---------------------|
| Q1A304818A | _Q10-3048-18 | 30/762 | 48/1219 | 18/457 | 360/163 |
| Q1A304824A | _Q10-3048-24 | 30/762 | 48/1219 | 24/610 | 380/172 |
| Q1A304830A | _Q10-3048-30 | 30/762 | 48/1219 | 30/762 | 390/177 |
| Q1A304836A | _Q10-3048-36 | 30/762 | 48/1219 | 36/914 | 400/181 |
| Q1A304848A | _Q10-3060-48 | 30/762 | 48/1219 | 48/1219 | 440/200 |
| Q1A306018A | _Q10-3060-18 | 30/762 | 60/1524 | 18/457 | 430/195 |
| Q1A306024A | _Q10-3060-24 | 30/762 | 60/1524 | 24/610 | 445/202 |
| Q1A306030A | _Q10-3060-30 | 30/762 | 60/1524 | 30/762 | 460/208 |
| Q1A306036A | _Q10-3060-36 | 30/762 | 60/1524 | 36/914 | 490/222 |
| Q1A306048A | _Q10-3060-48 | 30/762 | 60/1524 | 48/1219 | 530/240 |
| Q1A366018A | _Q10-3660-18 | 36/914 | 60/1524 | 18/457 | 550/250 |
| Q1A366024A | _Q10-3660-24 | 36/914 | 60/1524 | 24/610 | 570/259 |
| Q1A366030A | _Q10-3660-30 | 36/914 | 60/1524 | 30/762 | 590/268 |
| Q1A366036A | _Q10-3660-36 | 36/914 | 60/1524 | 36/914 | 610/277 |
| Q1A366048A | _Q10-3660-48 | 36/914 | 60/1524 | 48/1219 | 640/290 |
| Q1A484836A | _Q10-4848-36 | 48/1219 | 48/1219 | 36/914 | 660/299 |
| Q1A484848A | _Q10-4848-48 | 48/1219 | 48/1219 | 48/1219 | 680/308 |
| Q1A487236A | _Q10-4872-36 | 48/1219 | 64/1626 | 36/914 | 860/390 |
| Q1A487248A | _Q10-4872-48 | 48/1219 | 74/1880 | 48/1219 | 910/413 |
| Q1A487830A | _Q10-4878-30 | 48/1219 | 80/2032 | 30/762 | 920/417 |
| Q1A487836A | _Q10-4878-36 | 48/1219 | 90/2286 | 36/914 | 960/435 |
| Q1A487848A | _Q10-4878-48 | 48/1219 | 102/2591 | 48/1219 | 1010/458 |
| Q1A489630A | _Q10-4896-30 | 48/1219 | 80/2032 | 30/762 | 1070/485 |
| Q1A489636A | _Q10-4896-36 | 48/1219 | 90/2286 | 36/914 | 1100/499 |
| Q1A489648A | _Q10-4896-48 | 48/1219 | 102/2591 | 48/1219 | 1130/513 |

