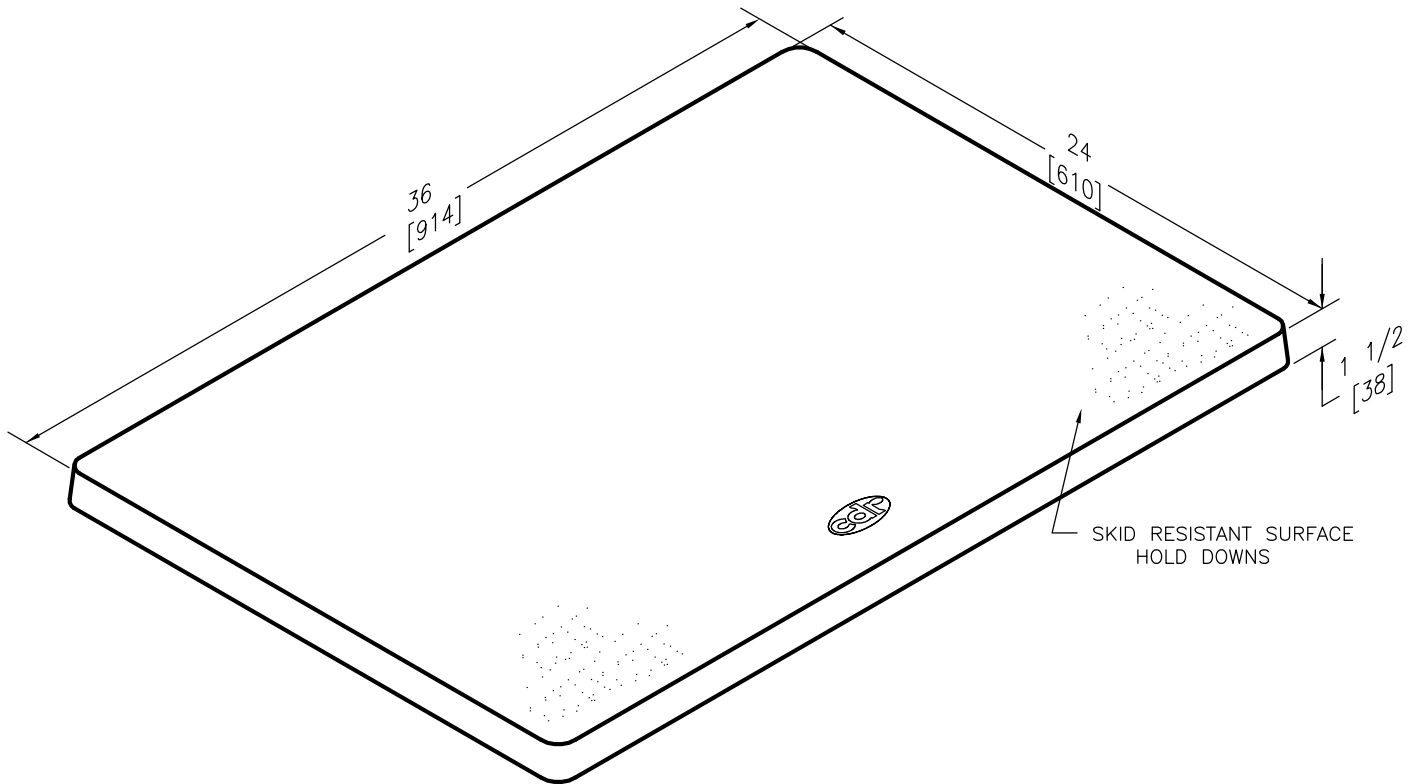


SPECIFICATIONS/DATA

TRAFFIC SIGNAL CABINET WORK PAD



MATERIAL: FIBER REINFORCED POLYMER CONCRETE & FIBER REINFORCED POLYMER

WORK PAD		
Part No.	Old Catalog No.	WEIGHT# LBS./kg.
PT2436020000A	SC00-2436-02	98/44

Dimensions in brackets are in millimeters