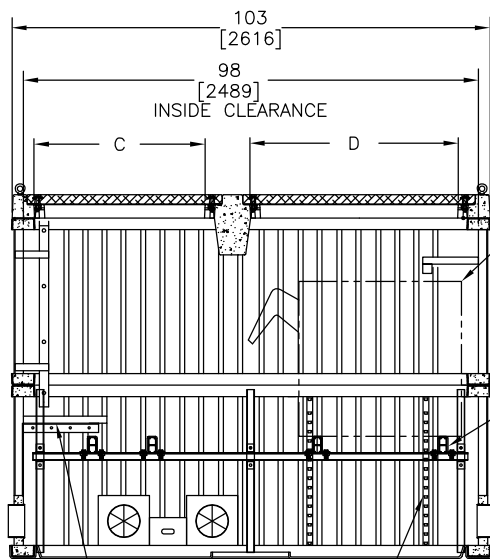
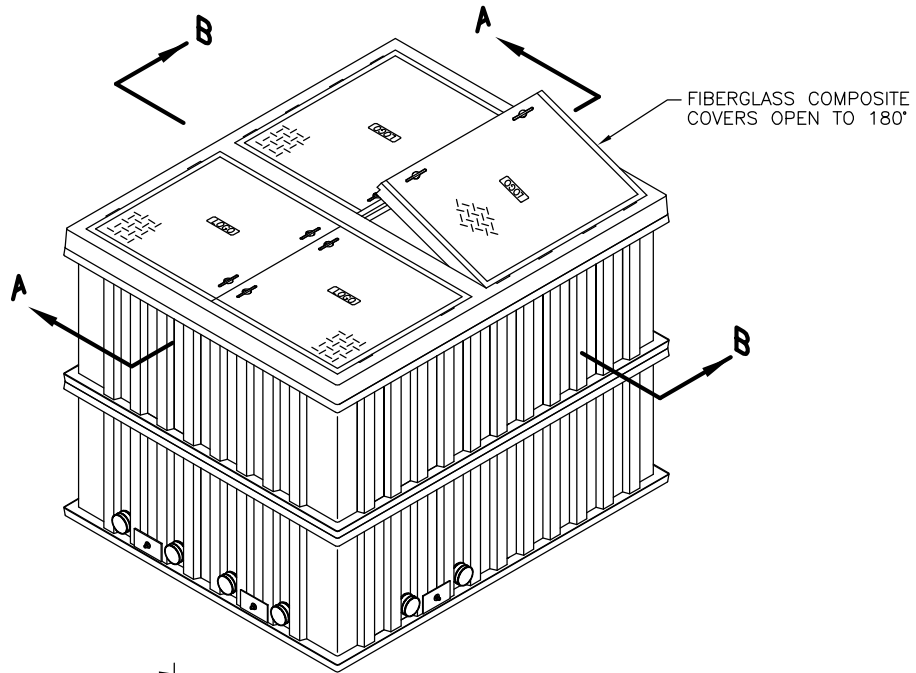


SPECIFICATIONS/DATA

UNDERGROUND DISTRIBUTION SWITCHGEAR ENCLOSURE



SS 1/2-13 UNC LIFTING EYE

422 (15.5 kV) SWITCH GEAR
FIBERGLASS ACCESS LADDER

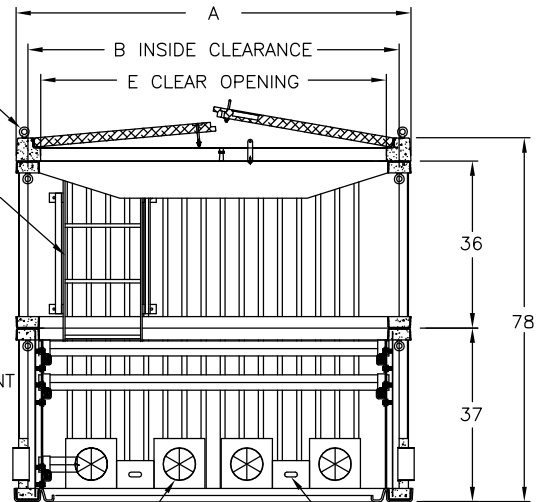
SS UNISTRUT FULL LENGTH ADJUSTABLE EQUIPMENT PLATFORM

18" REMOVEABLE WORK PLATFORM

SS CABLE RACK 4 PLACES

REMOVEABLE BOTTOM BOLTED TO BOX

SECTION A-A



HOT DIP GALV. STEEL TERMINATOR W/PLUGS FOR 6" SCH 40 PIPE 12 PLACES

CUSTOMER SPEC. LOAD PULLEY 6 PLACES

SECTION B-B

SWITCHGEAR ENCLOSURE (With Torsion assist covers)

Assembly No.	DIM. A IN./mm.	DIM. B IN./mm.	DIM. C IN./mm.	DIM. D IN./mm.	DIM. E IN./mm.
A1A7896500	85/2159	80/2032	38 3/4/984	46 3/4/1187	74 1/2/1892
A1A9696500	103/2159	92/2032	46 3/4/1187	46 3/4/1187	86 1/2/2197

If switchgear size or configuration is not shown, contact CDR Customer Service.

Dimensions in brackets are in millimeters

