



WESTERN POWER PRODUCTS

## SINGLE PHASE PRIMARY VOLTAGE SECTIONALIZING CABINETS

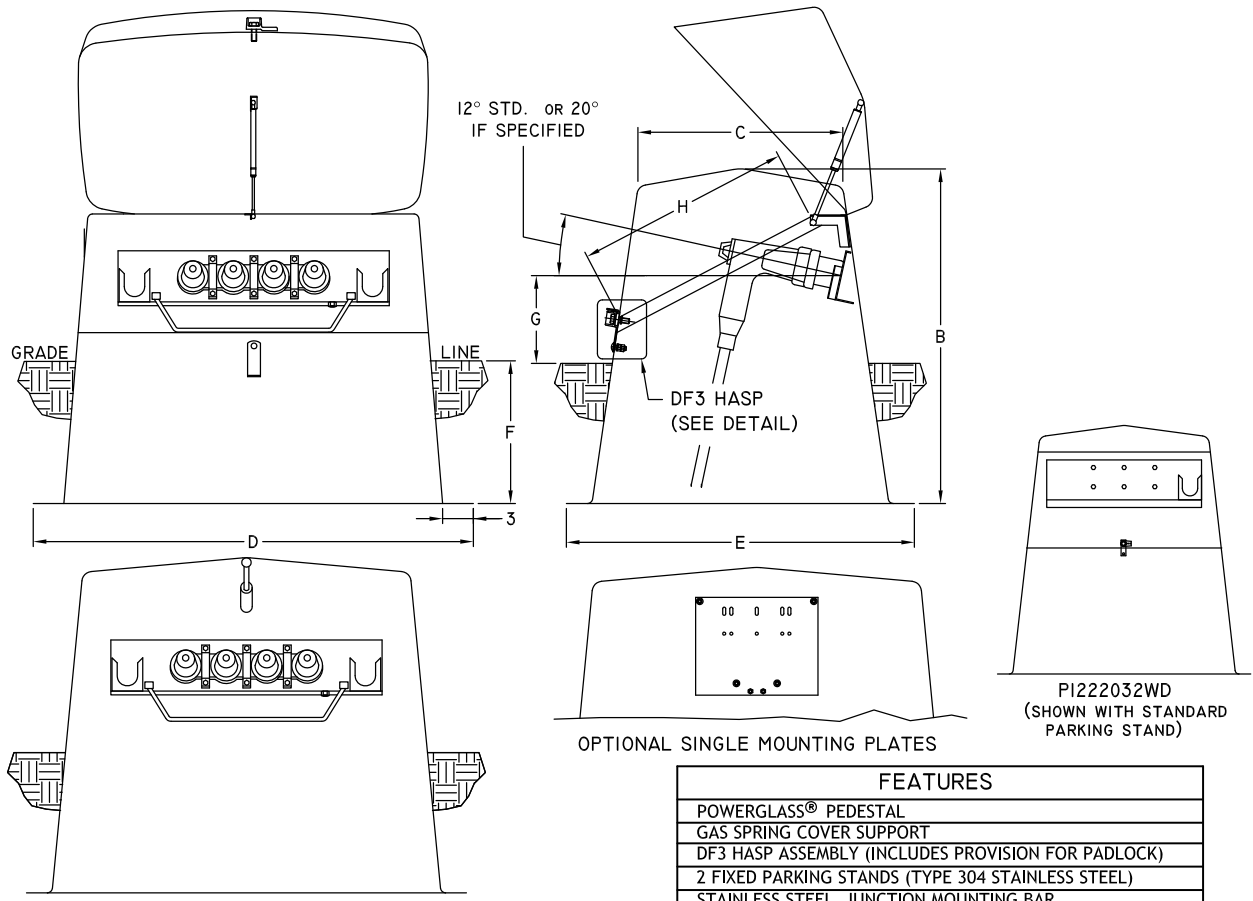
- **STRONG** – Powerglass® enclosures have a unique top to bottom tapered elliptical shape with stiffeners molded into the walls.
- **SMOOTH-TOP SERIES** – Available on select cabinets. These Smooth-Top cabinets provide an aesthetically pleasing installation, and the smooth surface ensures that stickers are easy to attach.
- **CORROSION RESISTANT** – Powerglass® is unaffected by fertilizer spray, salt air or chemicals. All hardware is non-ferrous. No rusting as with steel cabinets.
- **DURABLE** – Ultraviolet stabilized gel coat provides a lifetime finish. Fire retardant-Powerglass® will NOT support combustion.
- **COLORS** – Standard colors are Willow (light) green and Munsell (dark) green. Special colors are available.
- **INTEGRAL GROUND SLEEVE** – low-profile assembly for aesthetic appeal.
- **REMOVABLE TOP** – Allows for (ALL AROUND) 360° access for extensive service.
- **SAFE** – Gas spring assisted lid opening with removable “hidden” stainless steel hinges. Meets ANSI C57.12.28 and C37.72 specifications.
- **OPTIONS** – Caution/Warning stickers or other marking, Cooper ground bar and Wire stop Lid Liner.
- **RUS APPROVED**

### BUILD-A-PART NUMBER DETAILS

1 Item	2 Phase	3, 4 Length	5, 6 Width	7, 8 Depth	9 Color	10 Lock	11 Voltage	12 Amperage	13, 14 Options	15 Options
P (Fiberglass Primary Pedestal)	0 (None)	22	20	32	A (Safety Orange)	A (Standard Lock non-electrical applications)	0 (None)	0 (None)	JA (Standard)	A (Standard)
R (Smooth-Top Primary Pedestal)	1 (Single)	32	20	33	B (Brownstone)	D (DF3-Penta-bolt, padlock, dead-front applications)	1 (15kV)	2 (200 AMP)	J2 (2-way Junction)	B (Grounding Lug)
		32	20	39	D (Desert Tan)		2 (25 kV)	6 (600 AMP)	J3 (3-way Junction)	C (#2 Ground Bar)
		42	25	42	E (Earth Brown)		3 (35 kV)		J4 (4-way Junction)	D (3/8 Ground Bar)
					M (Munsell Green)					
					W (Willow Green)					



WESTERN POWER PRODUCTS

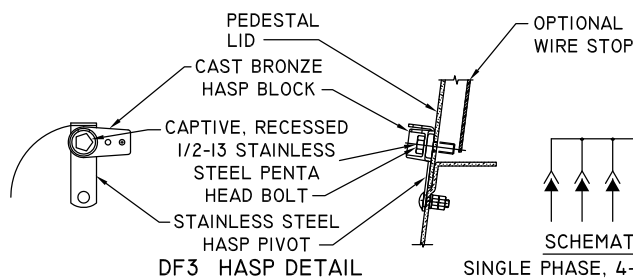


4 WAY SHOWN

OPTIONAL SINGLE MOUNTING PLATES

P1222032WD  
(SHOWN WITH STANDARD  
PARKING STAND)

FEATURES	
POWERGLASS® PEDESTAL	
GAS SPRING COVER SUPPORT	
DF3 HASP ASSEMBLY (INCLUDES PROVISION FOR PADLOCK)	
2 FIXED PARKING STANDS (TYPE 304 STAINLESS STEEL)	
STAINLESS STEEL JUNCTION MOUNTING BAR	
CU GROUND LUG (#8 - #1/0)	
OPTIONS	
JUNCTIONS - SPECIFY VOLTAGE, AMPERAGE AND NUMBER OF POSITIONS	
#2 OR 3/8 DIA. CU GROUND BAR	
WIRE STOP LID LINER	
SINGLE MOUNTING PLATE w/2 FIXED PARKING STANDS	
U.S. PATENT #4,158,102	



DF3 HASP DETAIL

SINGLE PHASE, 4-WAY SHOWN

JUNCTION OPTIONS:  
15, 25 OR 35 kV  
200 OR 600 AMP  
2, 3 OR 4-WAY

PART NUMBER	OLD MODEL NUMBER	VOLTAGE	Dimensions (inches)								WT.
			A	B	C	D	E	F	G	H	
P1222032WD	SPM-220-31-WG-DF3	15 OR 25 kV	22	32 3/8	20	33	33	13	11 1/2	22 3/4	70
P1322033WD	SPM-320-31-WG-DF3	15 OR 25 kV	32	32 3/4	20	43	34	14	8 5/8	21 1/8	85
P1322039WD	SPM-320-37-WG-DF3	15 OR 25 kV	32	38 3/4	20	44	35	20	8 5/8	21 1/8	90
P1322439WD	SPM-320-37-4D-WG-DF3	15 OR 25 kV	32	38 3/4	24	44	38	20	8 5/8	25 1/8	110
P1322043WD	SPM-320-41-WG-DF3	15 OR 25 kV	32	43	20	45	36	24	8 5/8	21 1/8	105
P1322048WD	SPM-320-47-WG-DF3	15 OR 25 kV	32	48 3/8	20	45	38	29	8 5/8	21 1/8	125
P1422532WD	SPM-420-31-WG-DF3	35 kV	42	31 1/2	25	53	42	13	8 5/8	24 5/8	105
P1422542WD	SPM-420-41-WG-DF3	35 kV	42	41 1/2	25	55	45	23	8 5/8	24 5/8	145
P1422550WD	SPM-420-47-WG-DF3	35 kV	42	49 1/2	25	56	47	31	8 5/8	24 5/8	175
SMOOTH-TOP PART NUMBER	OLD MODEL NUMBER	VOLTAGE	Dimensions (inches)								WT.
			A	B	C	D	E	F	G	H	
R1322033WD	SPS-320-31-WG-DF3	15 OR 25 kV	32	32 3/4	20	43	34	14	8 5/8	21 1/8	85
R1322039WD	SPS-320-37-WG-DF3	15 OR 25 kV	32	38 3/4	20	44	35	20	8 5/8	21 1/8	90
R1322043WD	SPS-320-41-WG-DF3	15 OR 25 kV	32	43	20	45	36	24	8 5/8	21 1/8	105
R1322048WD	SPS-320-47-WG-DF3	15 OR 25 kV	32	48 3/8	20	45	38	29	8 5/8	21 1/8	125

a. Willow green "W" part numbers illustrated. Change to "M" for Munsell green color.